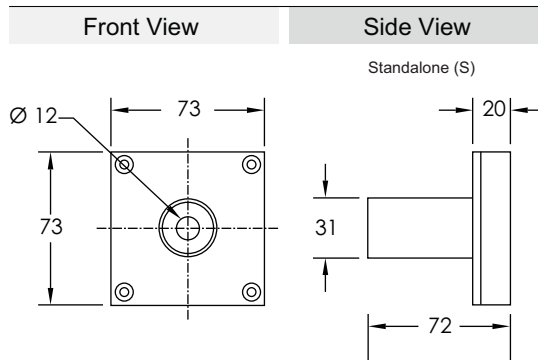




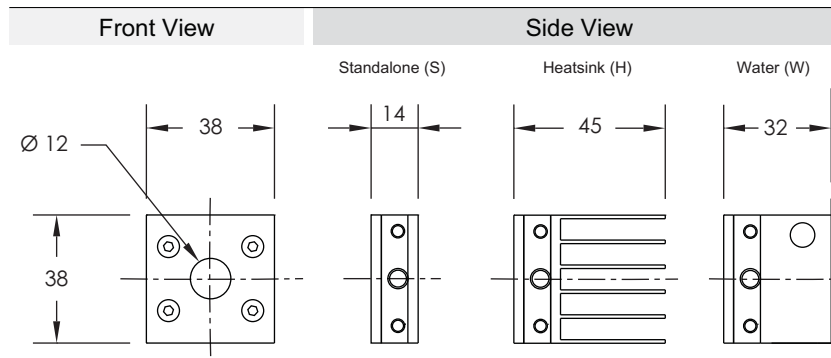
Monitors
Energy Detectors
Power Detectors
OEM Detectors
Calorimeters
Diffractive Optics
Beam Diagnostics

XLP12



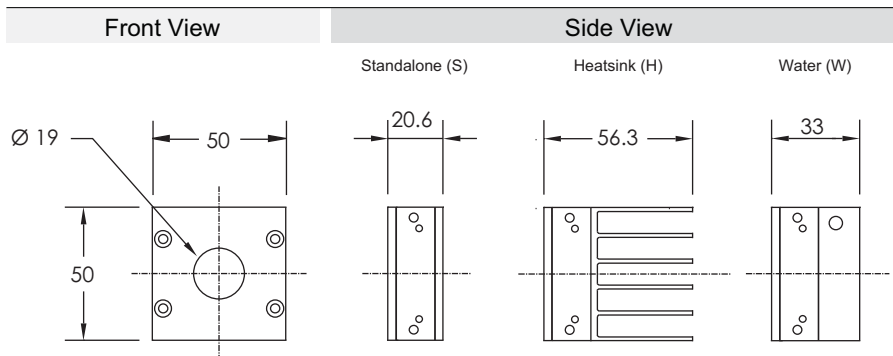
All dimensions in mm

UP12E



All dimensions in mm

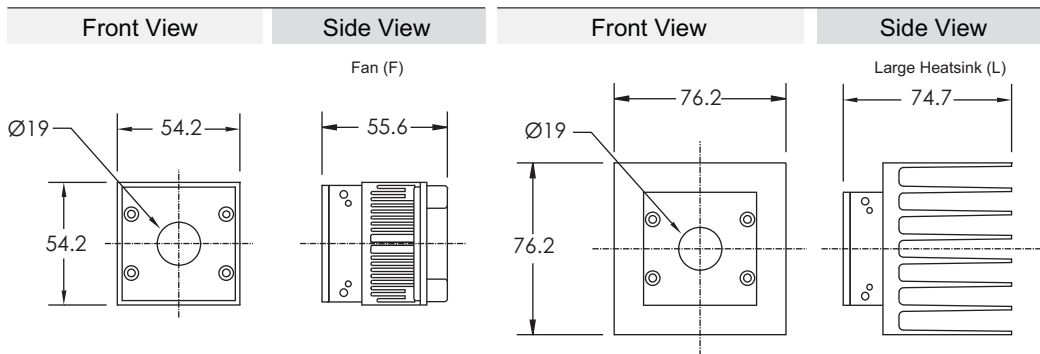
UP19K-(S/H/W)-H



All dimensions in mm

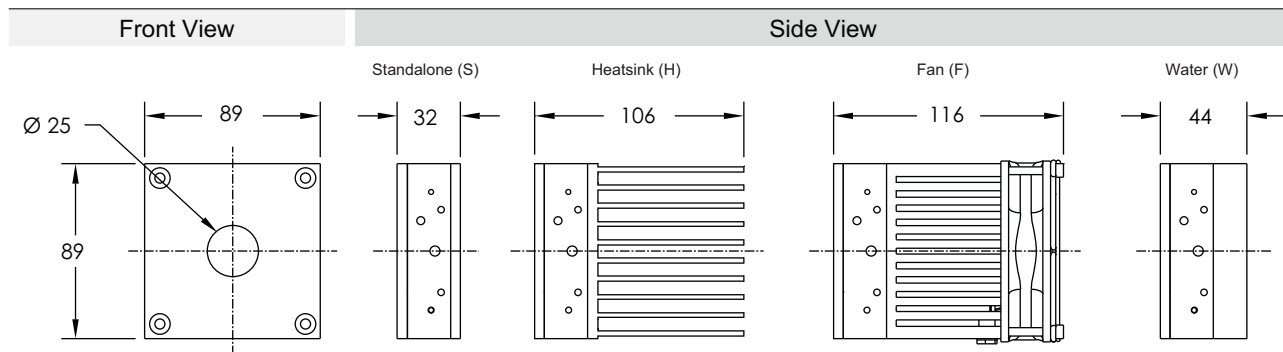
TECHNICAL DRAWINGS

UP19K-(L/F)-H



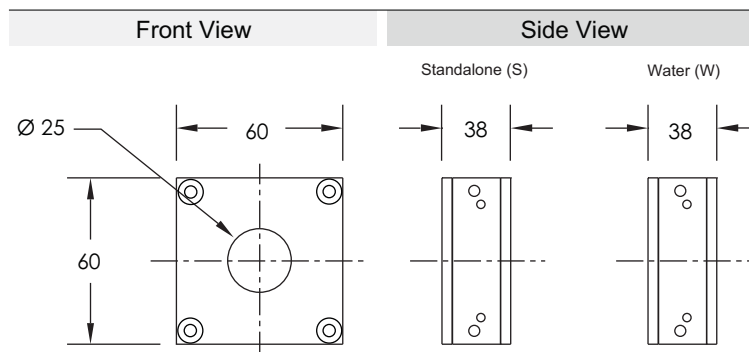
All dimensions in mm

UP25N



All dimensions in mm

UP25Z

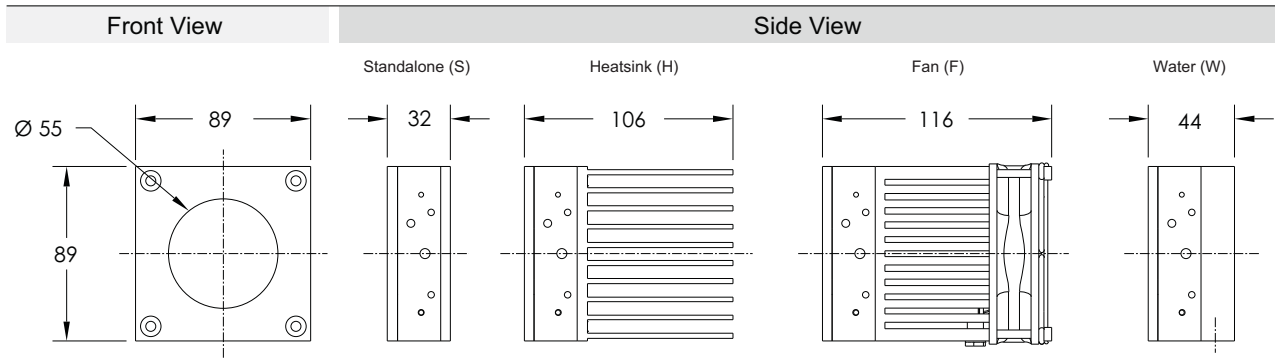


All dimensions in mm



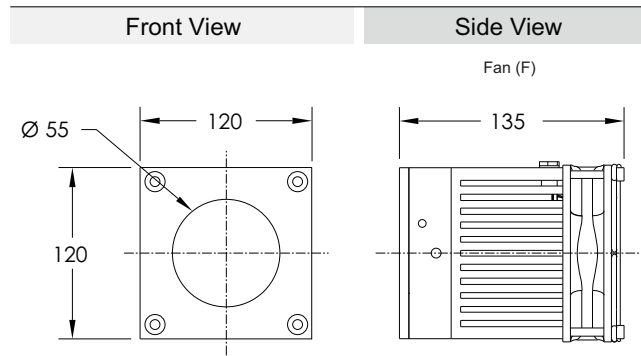
Monitors
Energy Detectors
Power Detectors
OEM Detectors
Calorimeters
Diffractive Optics
Beam Diagnostics

UP55N



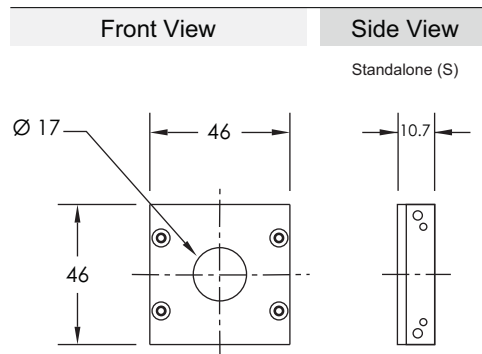
All dimensions in mm

UP55G



All dimensions in mm

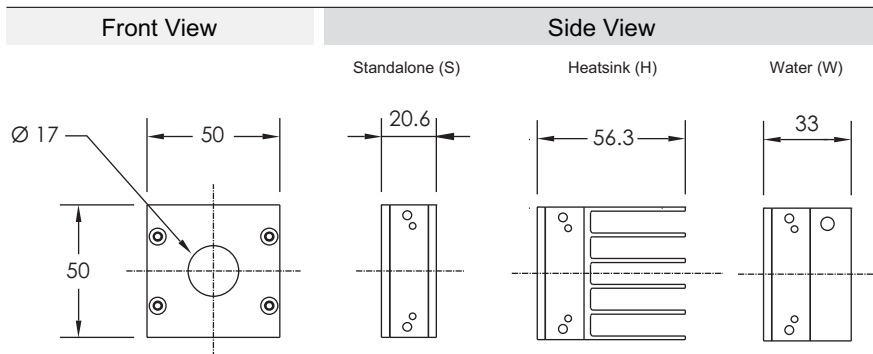
UP17P-H5 (W5)



All dimensions in mm

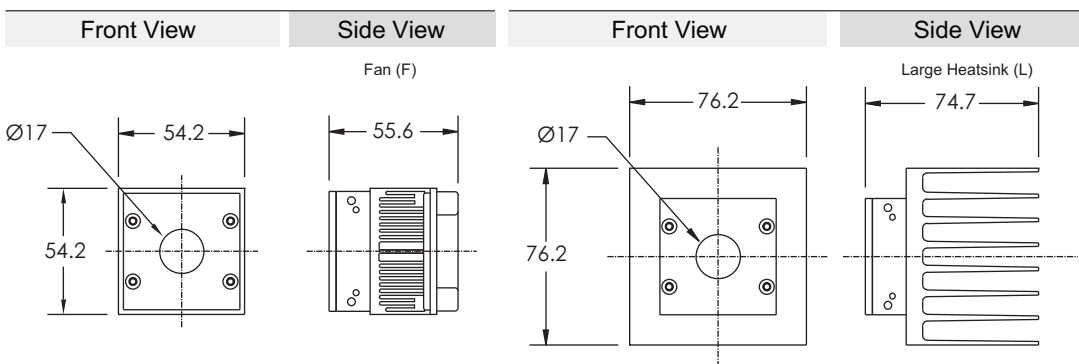
TECHNICAL DRAWINGS

UP19K-(S/H/W)-W5



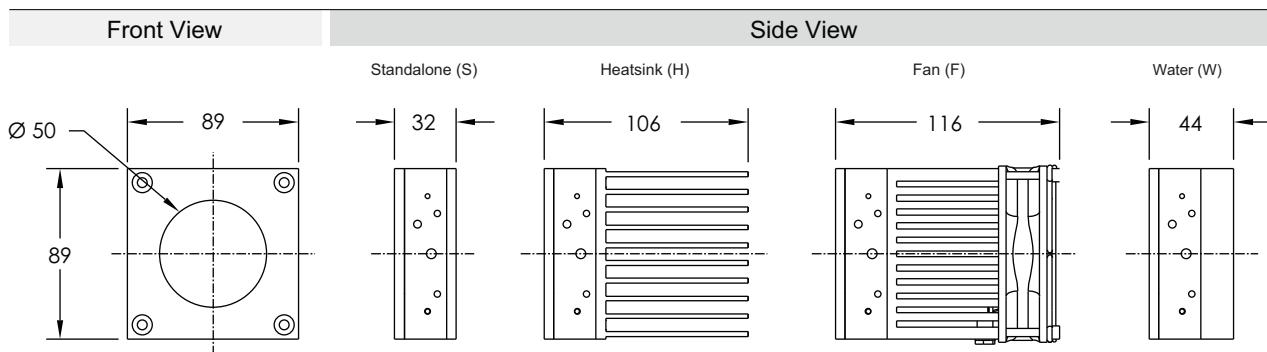
All dimensions in mm

UP19K-(L/F)-W5



All dimensions in mm

UP50N-W9

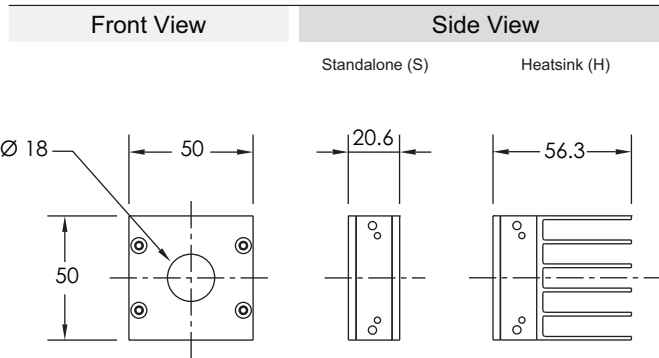


All dimensions in mm



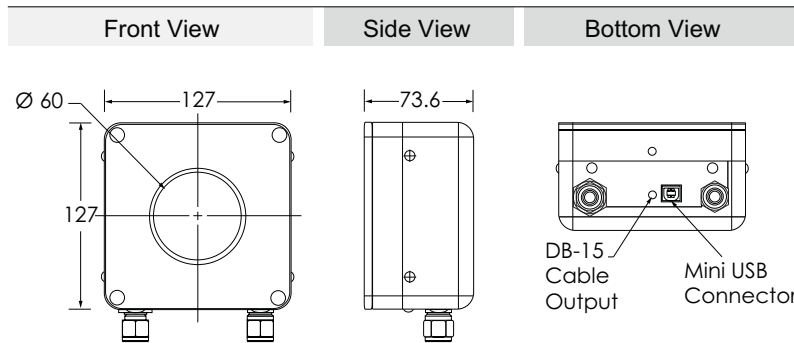
Monitors
Energy Detectors
Power Detectors
OEM Detectors
Calorimeters
Diffractive Optics
Beam Diagnostics

UP19K-V



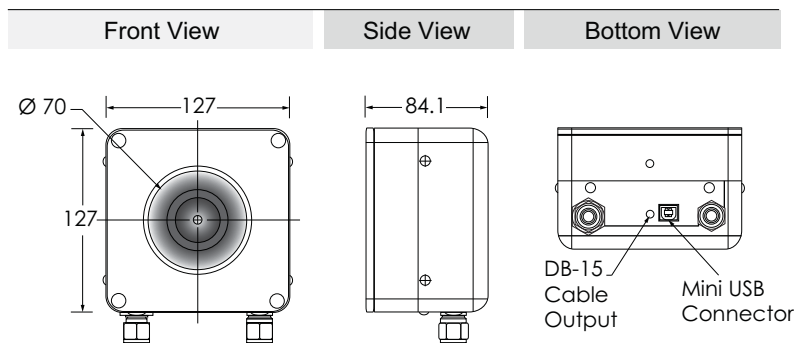
All dimensions in mm

HP60A



All dimensions in mm

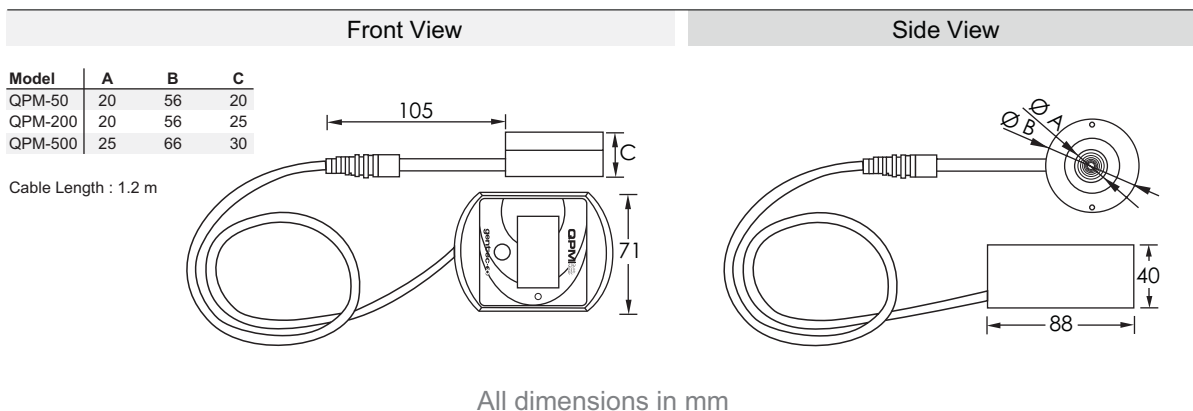
HP70A



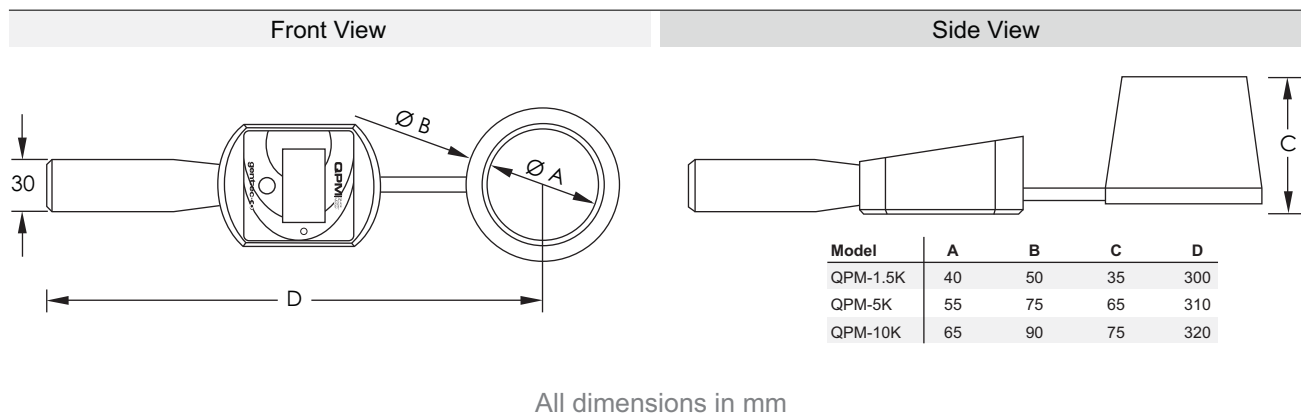
All dimensions in mm

TECHNICAL DRAWINGS

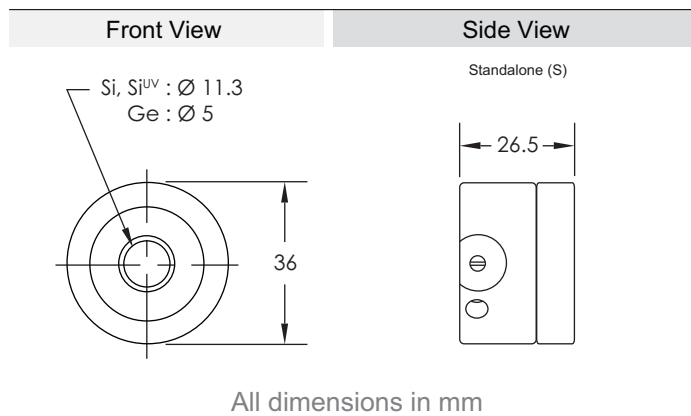
QPM-(50, 200, 500)



QPM-(1.5K, 3K, 10K)



PH Series



America

Canada
United States
South America

Europe

Austria
Belgium
France
Germany
Ireland
Italy
Poland
Russia
Spain
Sweden
Scandinavia
Switzerland
The Netherlands
Turkey
United Kingdom

Asia Pacific

China
India
Indonesia
Israel
Japan
Korea
Malaysia
Philippines
Singapore
Taiwan
Thailand
Vietnam

Oceania

Australia
New Zealand



Leader in Laser Beam Measurement Since 1972

Headquarters

445 St-Jean-Baptiste, Suite 160
Québec, QC, G2E 5N7, CANADA

T (418) 651-8003
F (418) 651-1174
1.888.5Gentec (543.6832)

info@gentec-eo.com

Calibration Centers

Quebec City, Canada
Olching (Munich), Germany