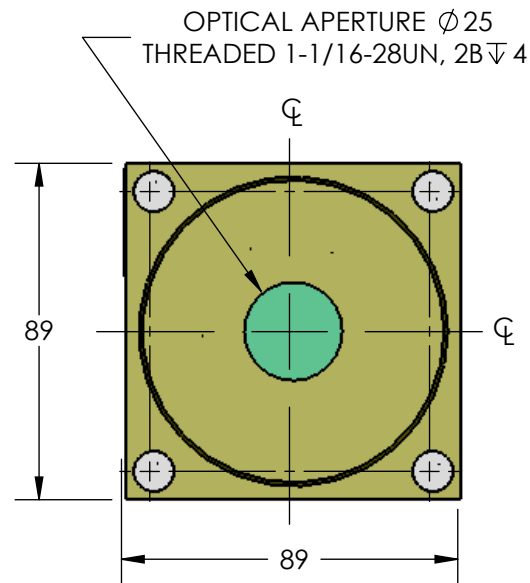
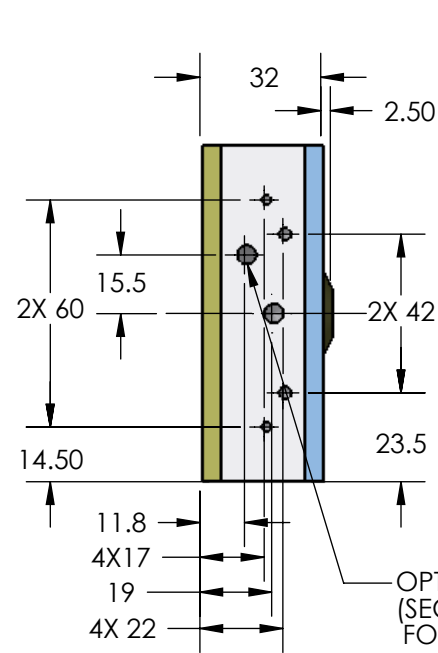


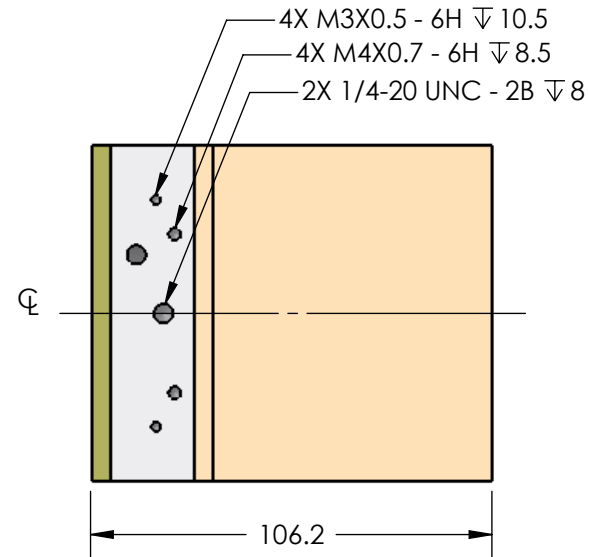
**FRONT VIEW, UP25N...**



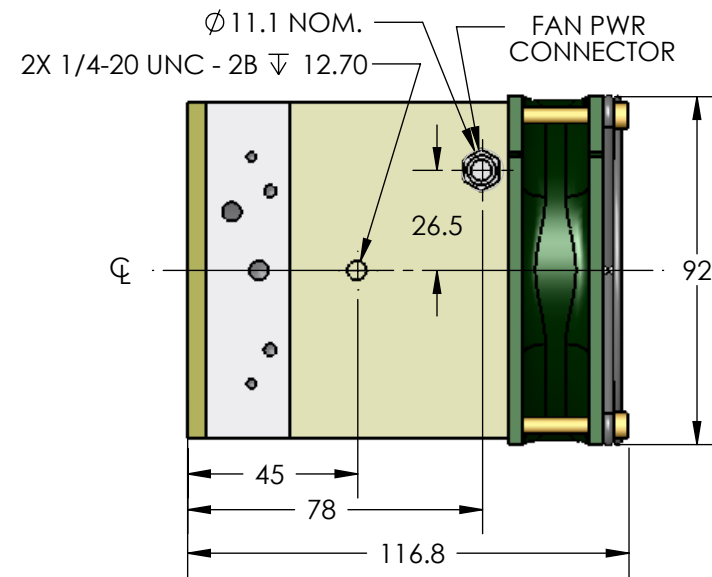
**UP25N-40S**



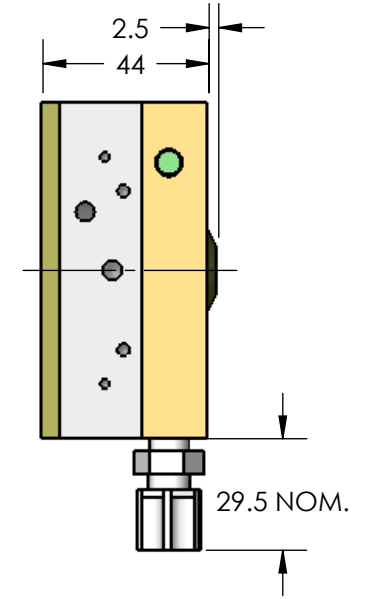
**UP25N-100H**



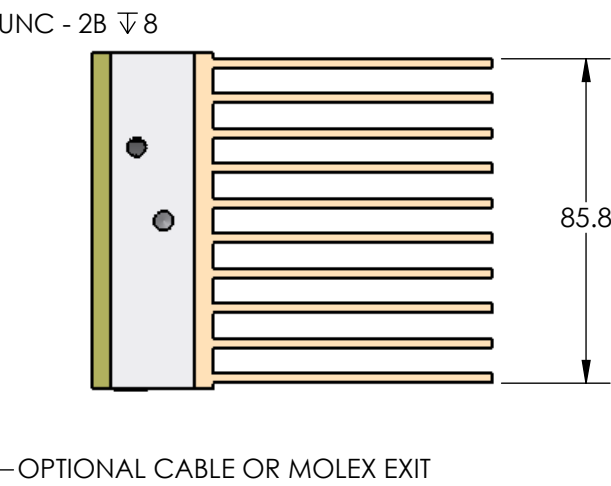
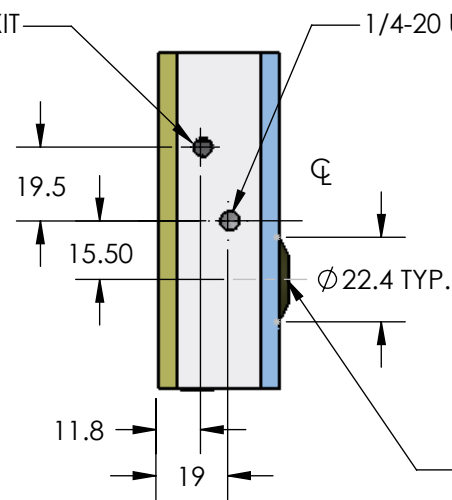
**UP25N-250F**



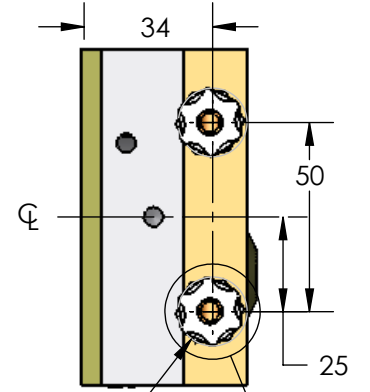
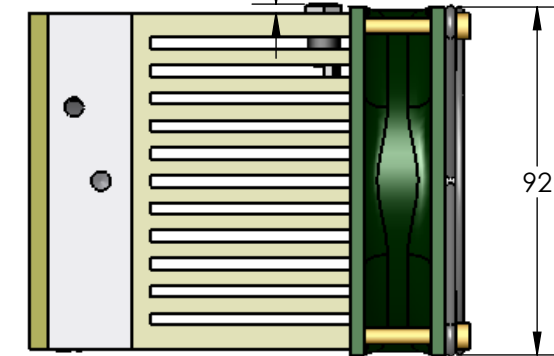
**UP25N-300W**



**STANDARD CABLE EXIT**



**2.3 NOM.**



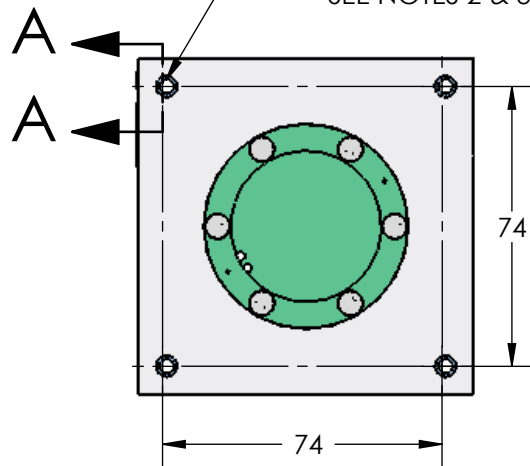
2X Ø 18.2 NOM.

DETAIL B  
SCALE 1:1

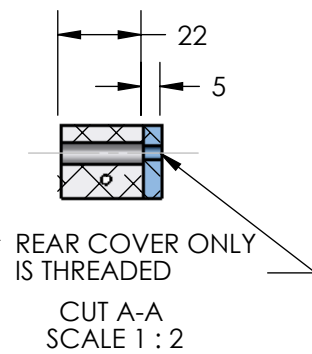
2X 1/8 NPT 11  
(COMPRESSION FITTING REMOVED)

- NOTES:  
1- DIMENSIONS IN mm  
2- FASTENER LENGTH = 27mm + THICKNESS OF CUSTOMER SUPPLIED MOUNT  
3- WATTMETER MUST BE FASTENED FROM THE FRONT IN ORDER TO SUPPORT THE BODY AND THE REAR COVER OR HEATSINK.

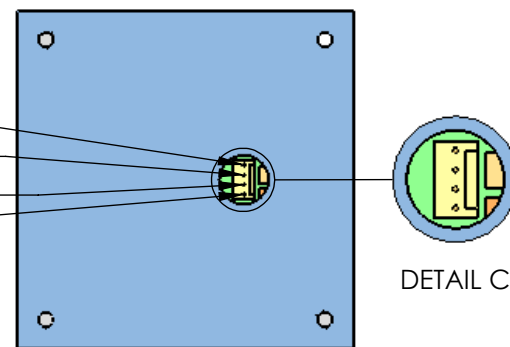
4X 10-24 UNC- 2B 5  
SEE NOTES 2 & 3



**UP25N ASSEMBLY WITHOUT FRONT COVER**



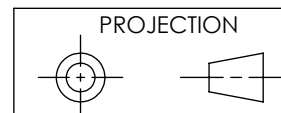
**OPTIONAL UP25N...-MT-B  
MOLEX CONNECTOR PIN OUT**



DETAIL C

**IMPORTANT:**

THIS DOCUMENT IS PROPERTY OF GENTEC ELECTRO-OPTICS, IT CANNOT BE DISTRIBUTED, USED OR REPRODUCED IN WHOLE OR IN PART WITHOUT EXPRESS WRITTEN AUTHORIZATION



REVISION	C	SEE PAGE 2 FOR DETAILS
----------	---	------------------------

TOLERANCE	
DÉC.	±
FRAC.	±
ANGLE	±
√	

SEE PAGE 2 FOR APPROVAL

DOMINYK ROY

DATE 22/10/2003

1:2



LAYOUT DRAWING

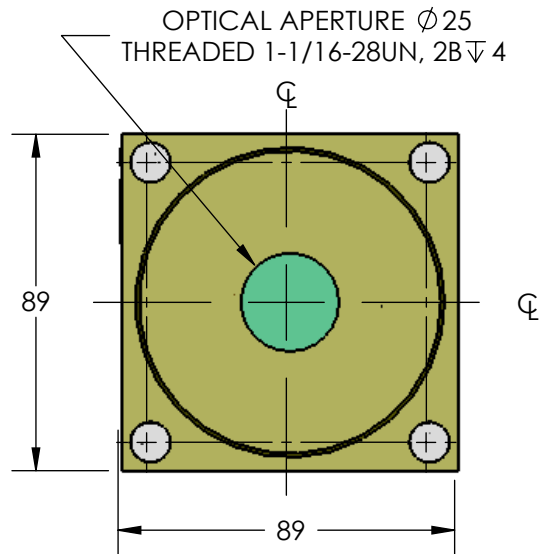
UP25N

SK-8474

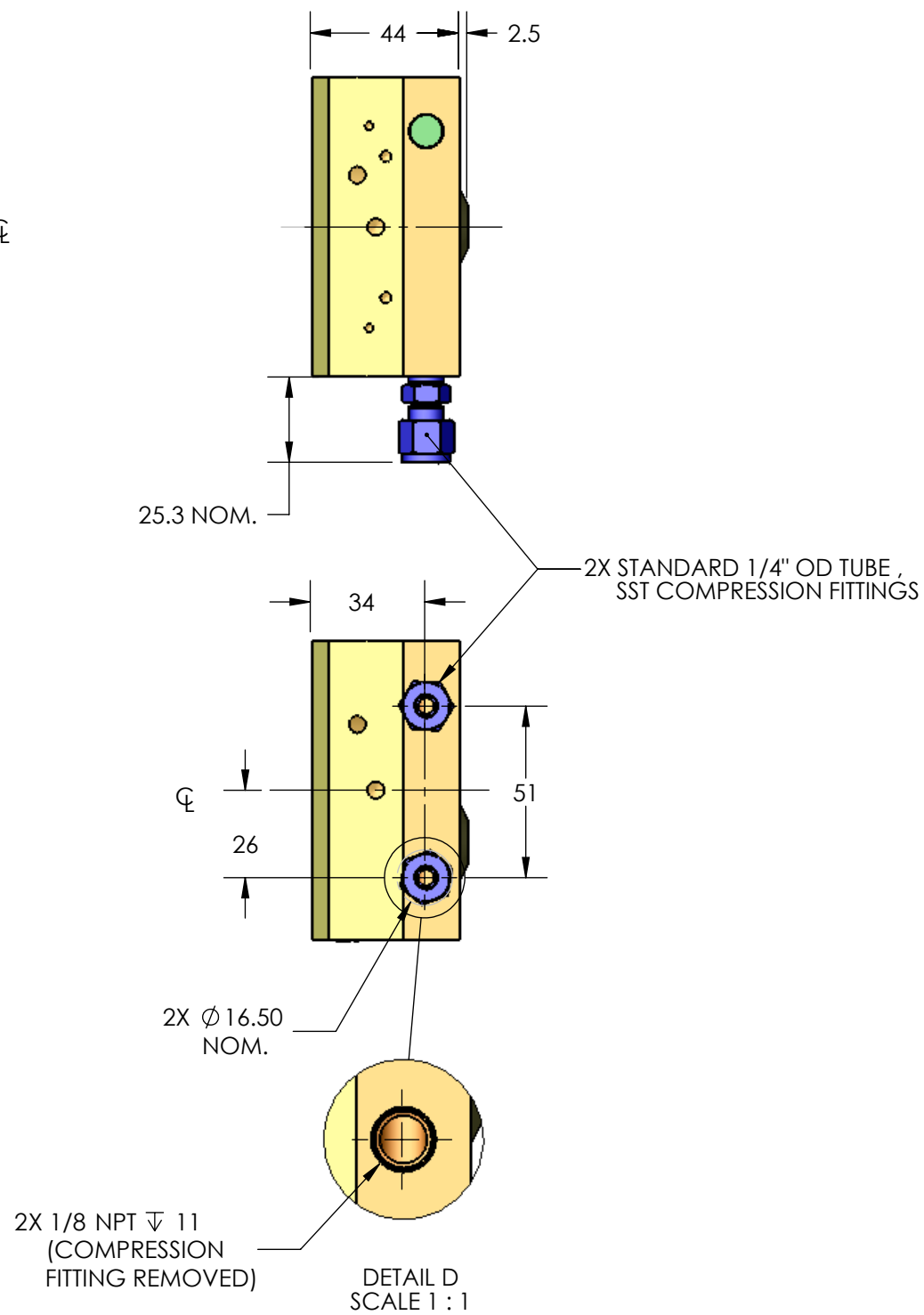
1 OF 2

A3

**FRONT VIEW, UP25N...**

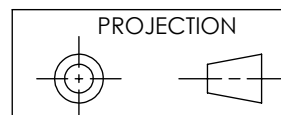


**UP25N-xxxDI**



NOTES:  
 1- DIMENSIONS IN mm  
 2- SEE P1 OF 2 FOR OTHER DETAILS

**IMPORTANT:**  
 THIS DOCUMENT  
 IS PROPERTY OF  
 GENTEC ELECTRO-  
 OPTICS, IT CANNOT  
 BE DISTRIBUTED, USED  
 OR REPRODUCED IN  
 WHOLE OR IN PART  
 WITHOUT EXPRESS  
 WRITTEN AUTHORIZATION



C	APERTURE THREAD ADDED	11/12/16	RVH		
B	NOMENCLATURE CORR. DI VERSION	11/08/17	RVH		
A	UP2x... DI VERSION ADDED TO P2 OF 2	25082006	RVH		
REF.	REVISION	DATE	VER	APP	
TOLERANCE					
DEC.	±				
FRAC.	±				
ANGLE	±	LAYOUT DRAWING			
APP.		UP25N...			
VER.					
	Ronald VH				
DATE	25/08/2006				
	1:2	SK-8474		2 OF 2	A3