

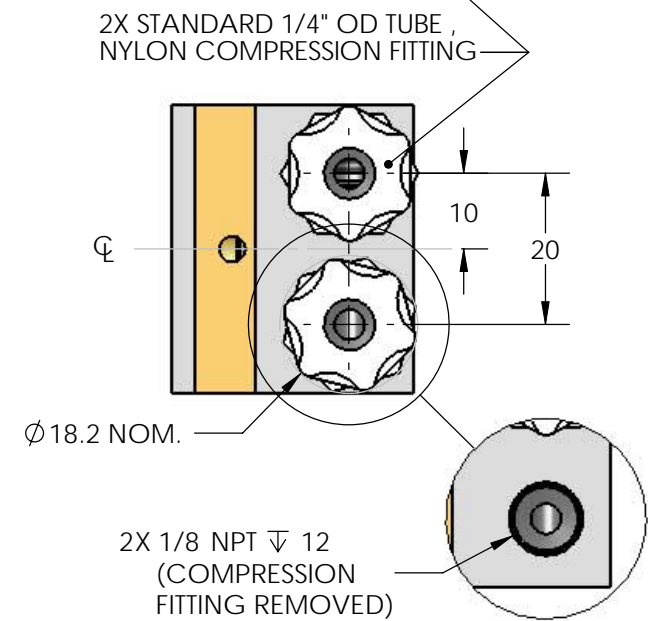
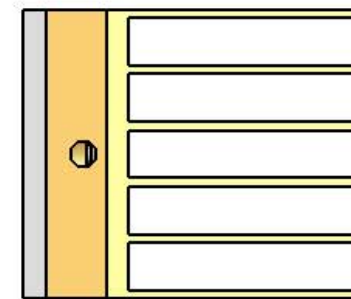
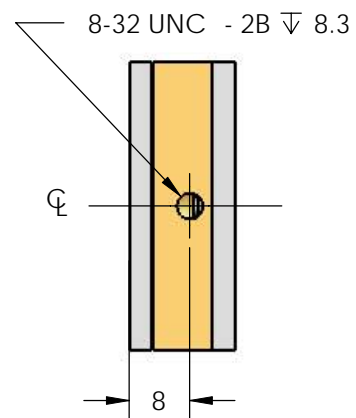
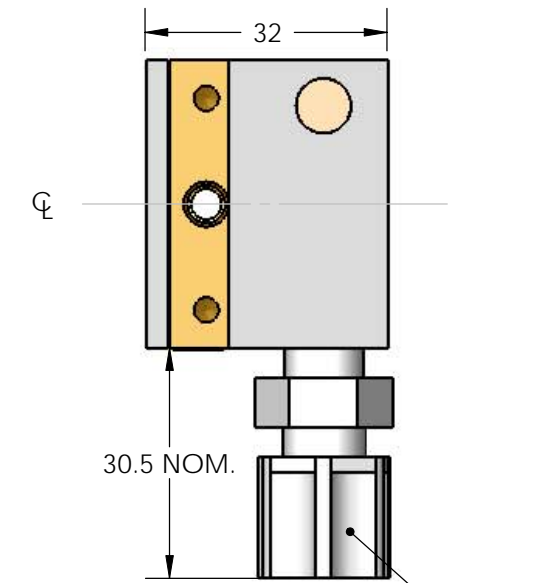
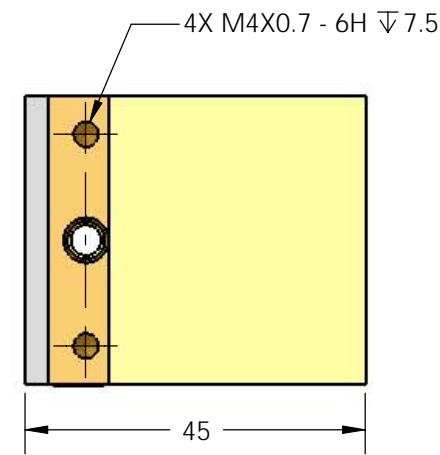
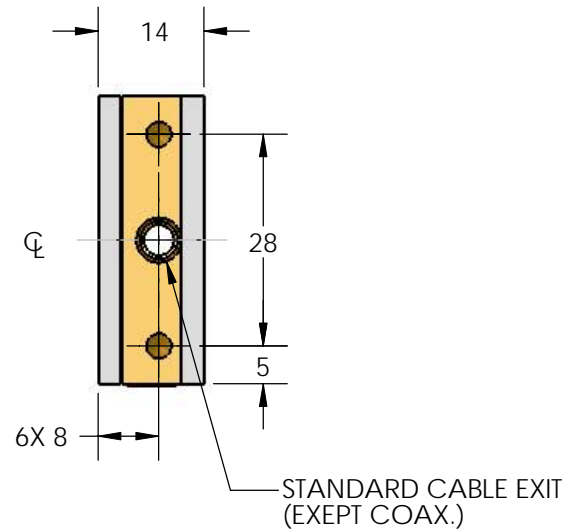
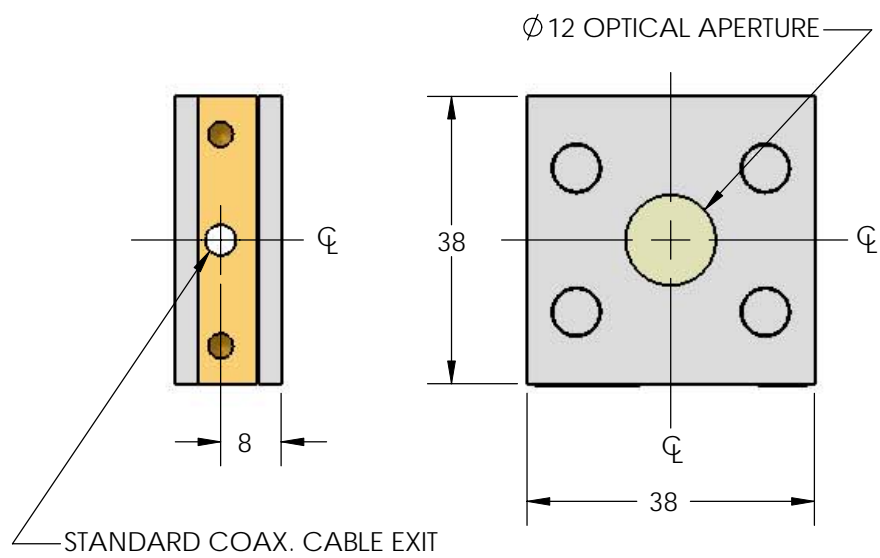
**UP12E-10S
(LEFT SIDE)**

**FRONT VIEW,
UP12E...**

**UP12E-10S
(RIGHT SIDE)**

UP12E-20H

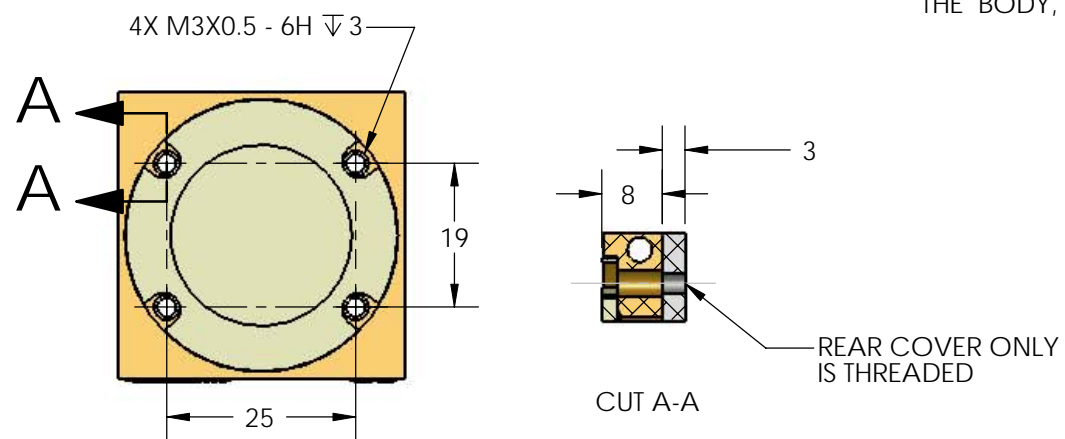
UP12E-70W



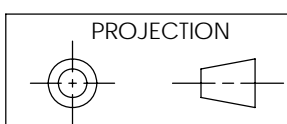
MOUNTING WITHOUT FRONT COVER: UP12E-xxx-Hx

SEE NOTES 2 & 3

- NOTES:
 1- DIMENSIONS IN mm
 2- FASTENER LENGTH = 11mm + THICKNESS OF CUSTOMER SUPPLIED MOUNT
 3- WATTMETER MUST BE FASTENED FROM THE FRONT IN ORDER TO SUPPORT THE BODY, THE THERMAL DISK AND THE REAR COVER OR HEATSINK.



IMPORTANT:
 THIS DOCUMENT IS PROPERTY OF GENTEC ELECTRO-OPTICS, IT CANNOT BE DISTRIBUTED, USED OR REPRODUCED IN WHOLE OR IN PART WITHOUT EXPRESS WRITTEN AUTHORIZATION



| | | | | | |
|-----------|---------------------|-----------------------|-----|-----|--|
| A | UD12 HOLES MODIFIED | 08/10/20 | RVH | | |
| REF. | REVISION | DATE | VER | APP | |
| TOLERANCE | | | | | |
| DEC. | ± | | | | |
| FRAC. | ± | | | | |
| ANGLE | ± | | | | |
| APP. | | LAYOUT DRAWING | | | |
| VER. | | UP12E...(WITHOUT PCB) | | | |
| | Ronald VH | SK-8478 | | | |
| DATE | 13/13/2005 | A3 | | | |
| | 1:1 | | | | |