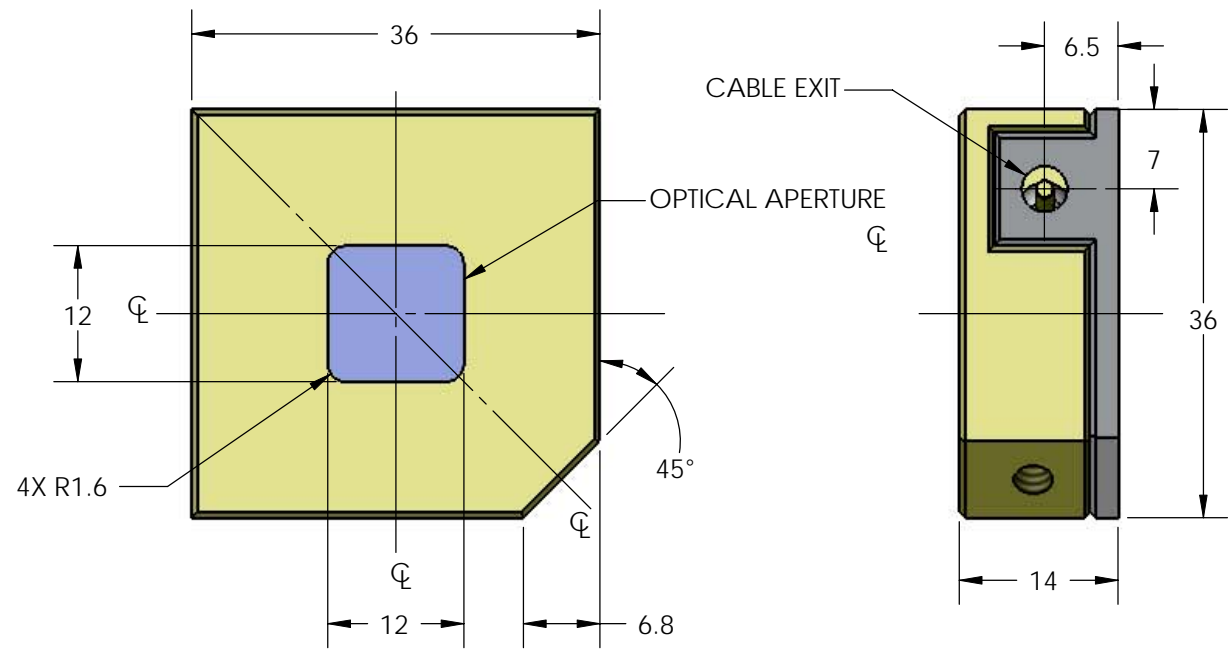
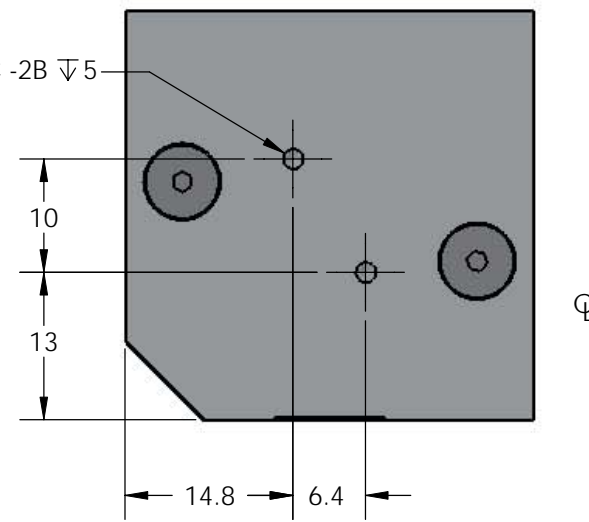


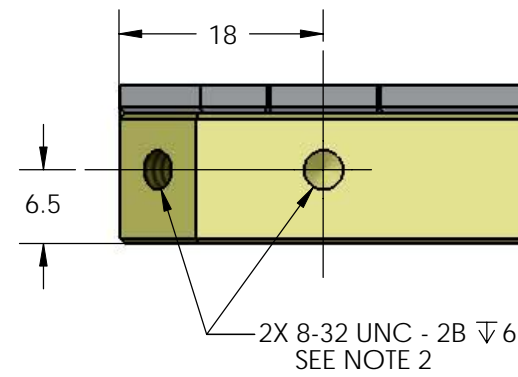
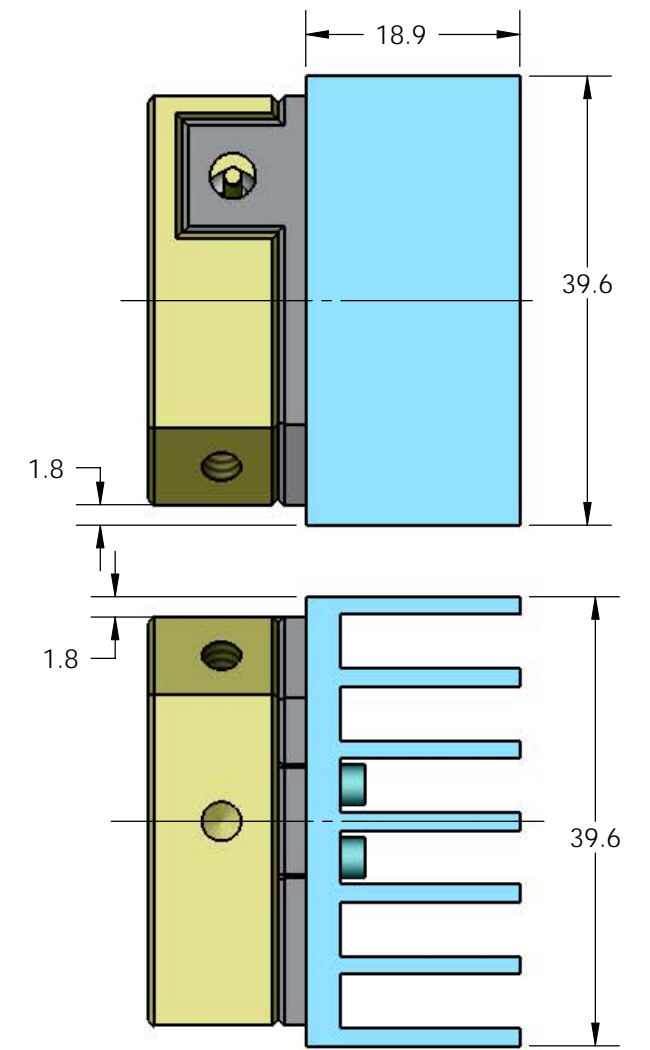
QE12xx-S-xx
SCALE 1.5:1



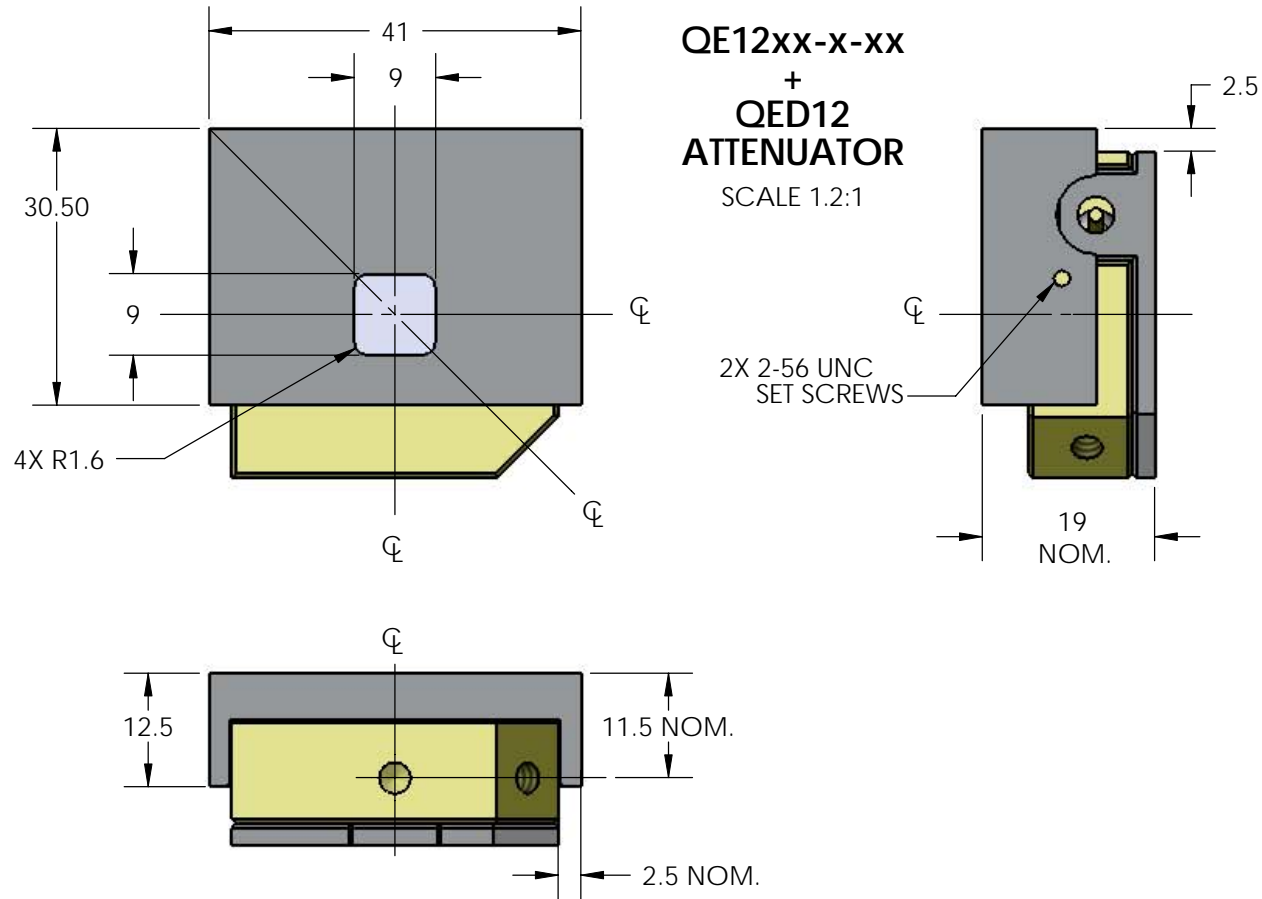
2X 2-56 UNC -2B ∇ 5



QE12xx-H-xx
SCALE 1.5:1

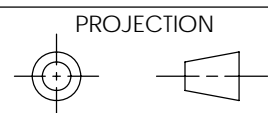


QE12xx-x-xx
+
QED12
ATTENUATOR
SCALE 1.2:1



NOTES:
1- DIMENSIONS INmm
2- FOR MOUNTING POST

IMPORTANT:
THIS DOCUMENT
IS PROPERTY OF
GENTEC ELECTRO-
OPTICS, IT CANNOT
BE DISTRIBUTED, USED
OR REPRODUCED IN
WHOLE OR IN PART
WITHOUT EXPRESS
WRITTEN AUTHORIZATION



A	ATTENUATOR UPDATED	10/02/19	RVH		
REF.	REVISION	DATE	VER	APP	
TOLERANCE					
DEC.	±				
FRAC.	±				
ANGLE	±				
APP.		LAYOUT DRAWING JOULEMETER AND ATTENUATOR QE12 SERIES			
VER.					
	Ronald VH	SK-8518			
DATE	31/08/2006				
		A3			