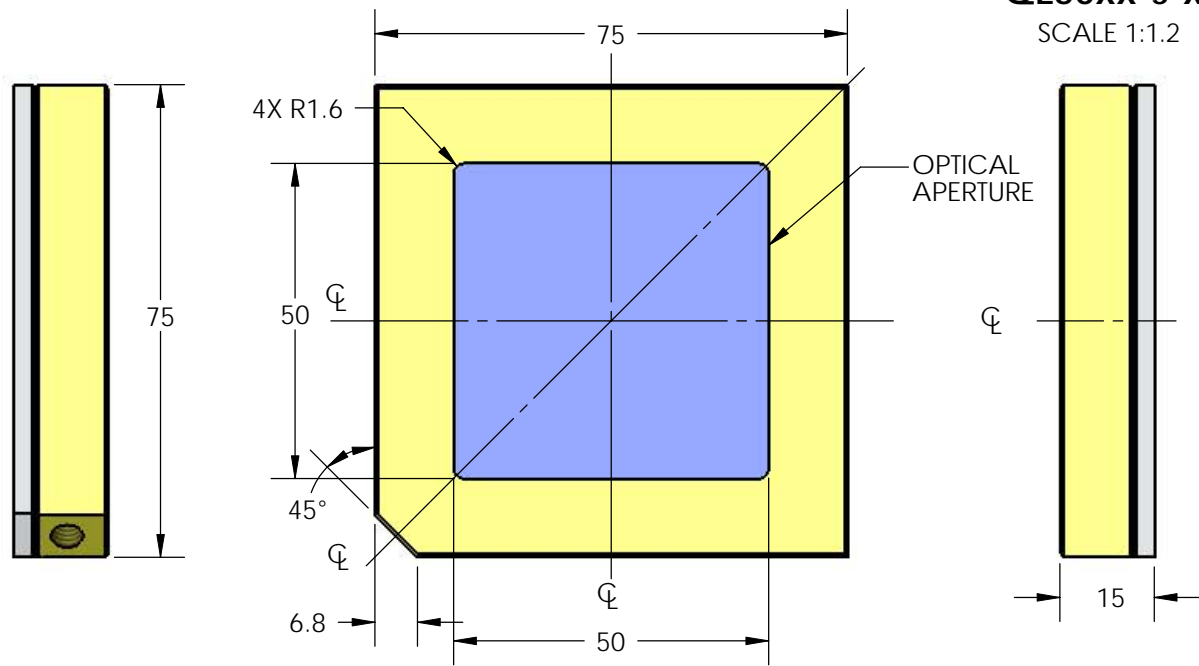


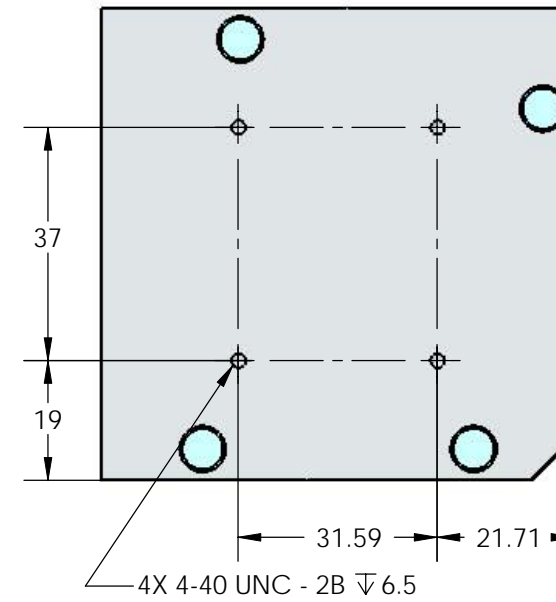
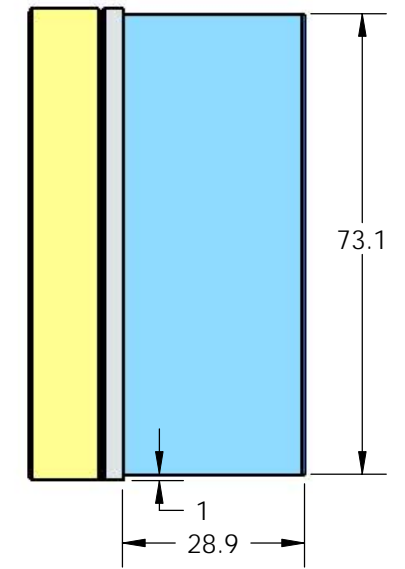
QE50xx-s-xx

SCALE 1:1.2



QE50xx-H-xx

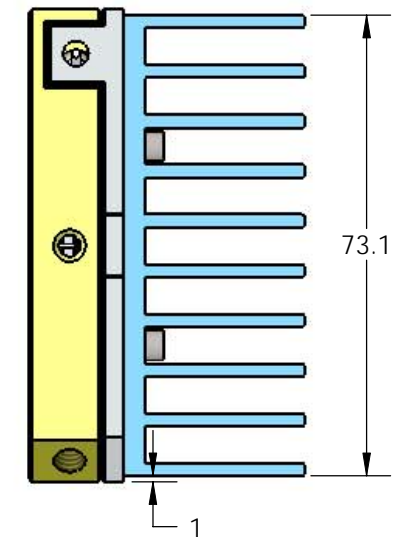
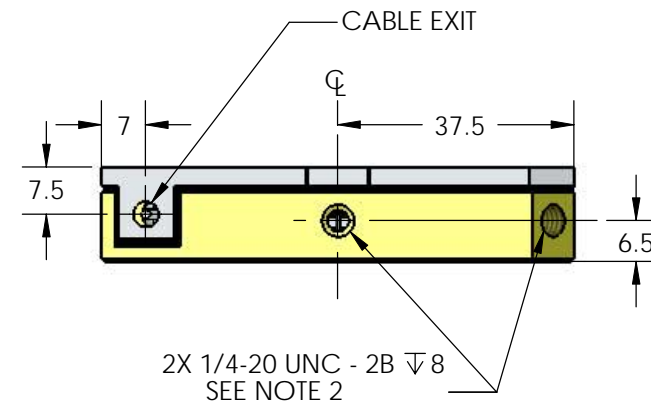
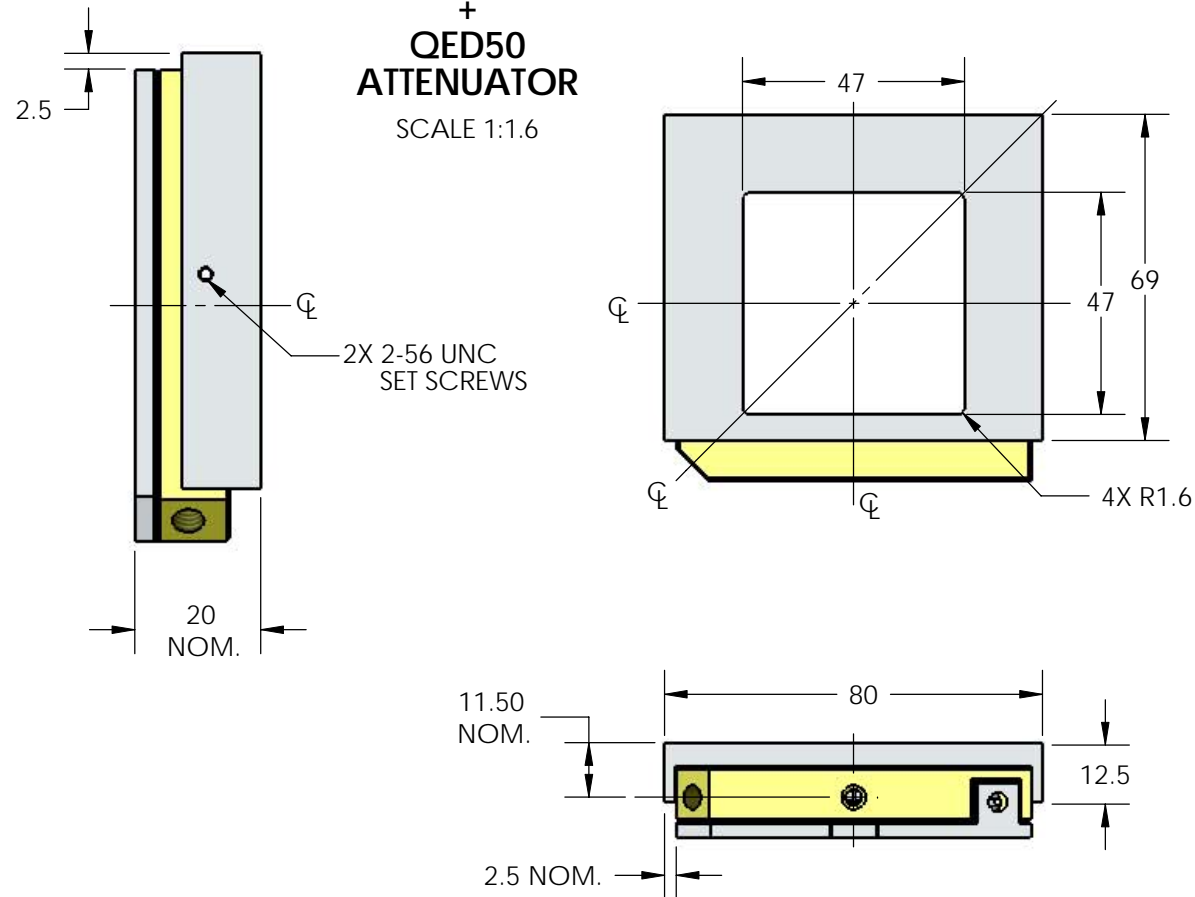
SCALE 1:1.2



QE50xx-x-xx

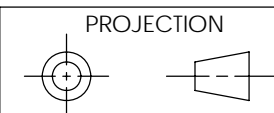
+ QED50 ATTENUATOR

SCALE 1:1.6



NOTES:
1- DIMENSIONS IN mm
2- FOR MOUNTING POST

IMPORTANT:
THIS DOCUMENT IS PROPERTY OF GENTEC ELECTRO-OPTICS, IT CANNOT BE DISTRIBUTED, USED OR REPRODUCED IN WHOLE OR IN PART WITHOUT EXPRESS WRITTEN AUTHORIZATION



A	ATTENUATOR UPDATED	10/02/22	RVH		
REF.	REVISION	DATE	VER	APP	
TOLERANCE					
DEC.	±				
FRAC.	±				
ANGLE	±				
APP.	LAYOUT DRAWING JOULEMETER AND ATTENUATORS QE50 SERIES				
VER.					
— Ronald VH					
DATE	24/10/2006	SK-8520		A3	
	1:1.2				