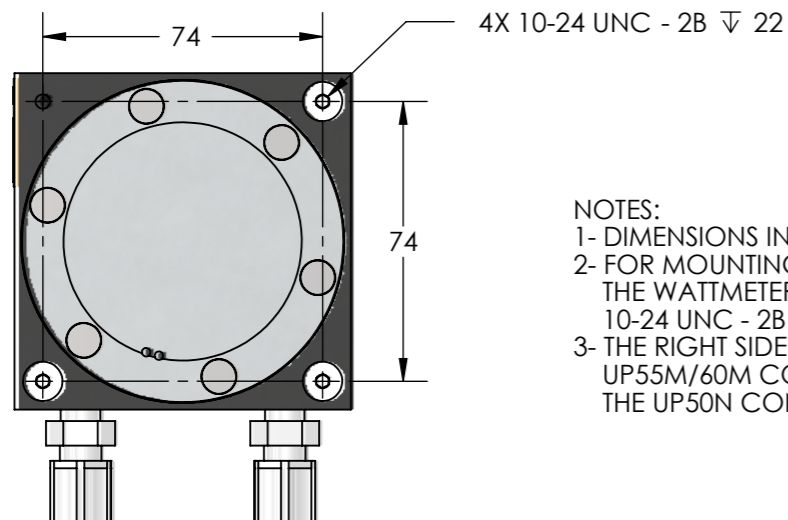
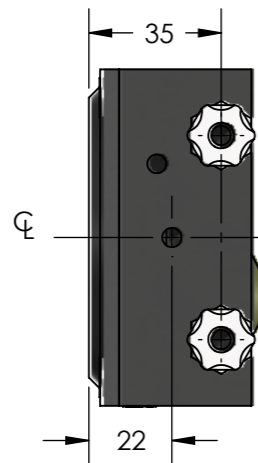
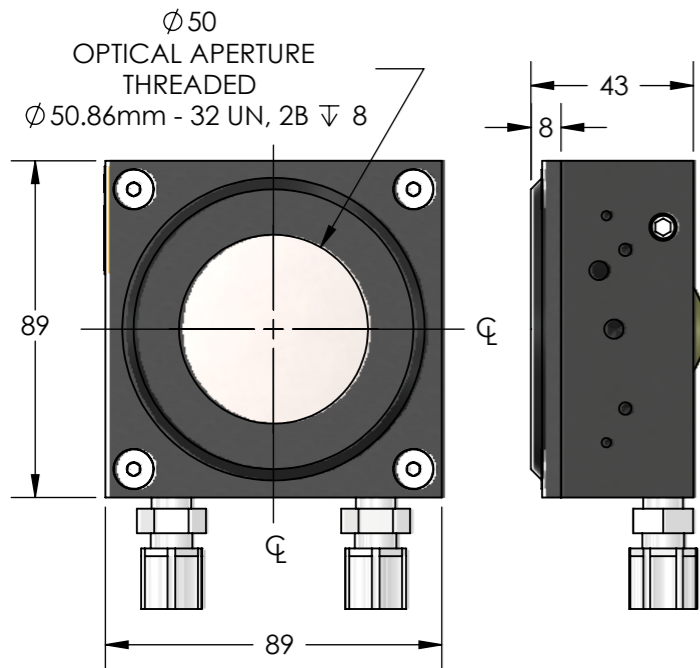
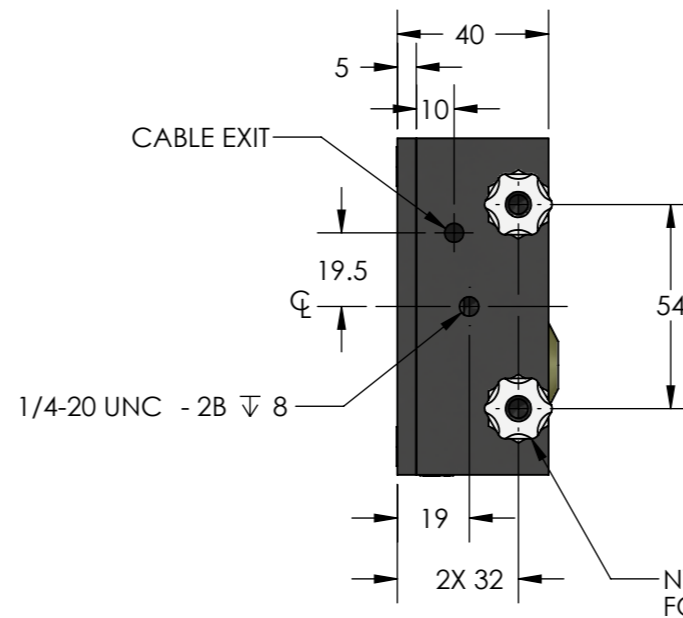
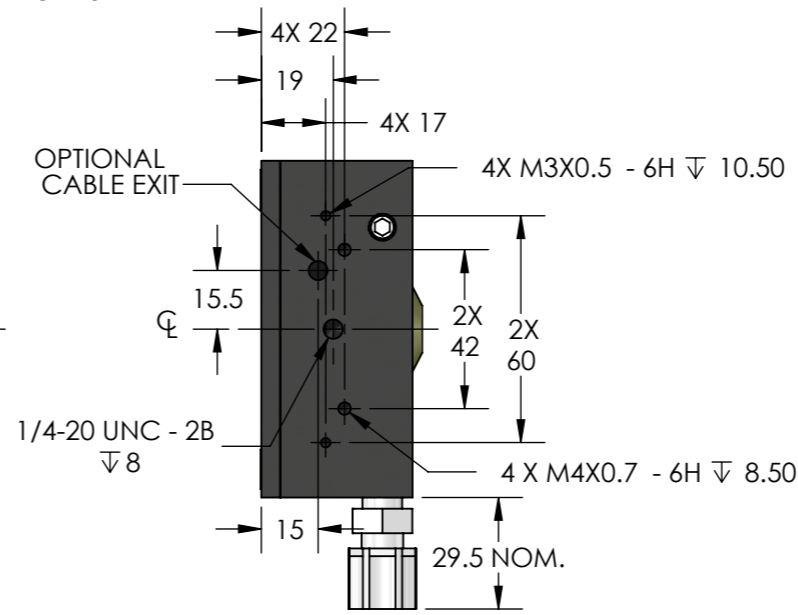
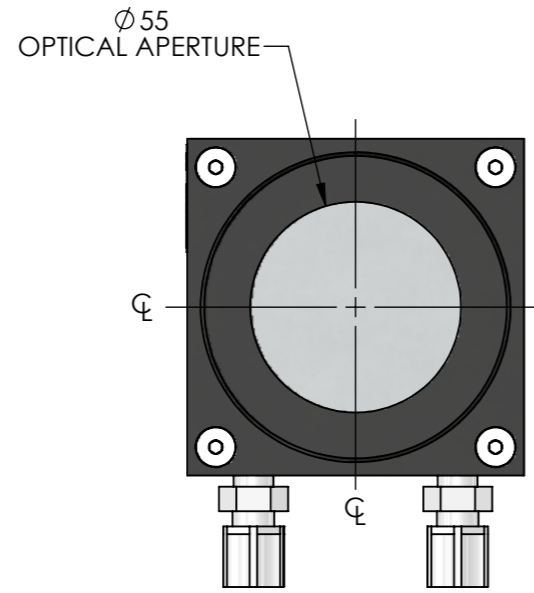


UP50M-50W-W9-DO/MT

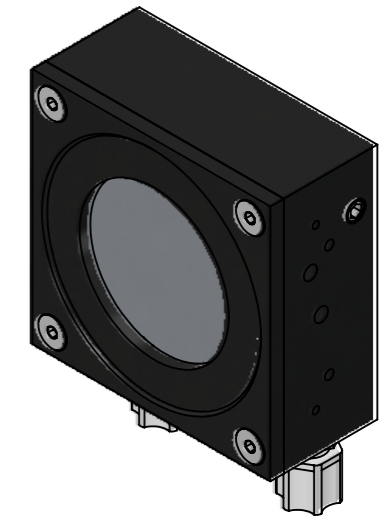
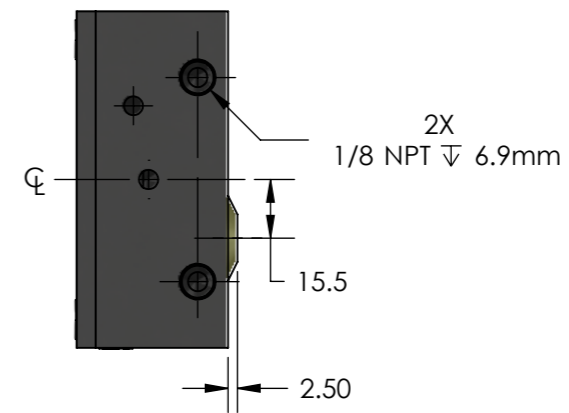


UP50/55/60M MOUNTING FROM FRONT WITHOUT COVER
SEE NOTE 2

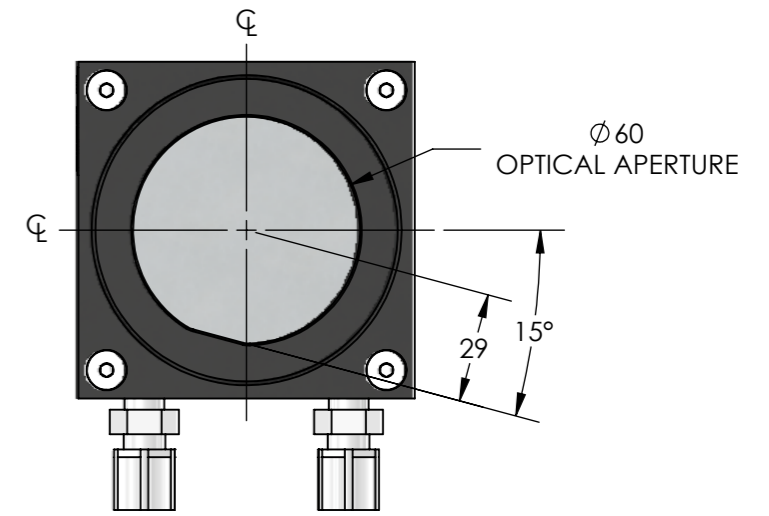
UP55M-500W-H12-DO/MT
UP55M-700W-HD-DO
SEE NOTE 3



BOTTOM VIEW
FITTINGS REMOVED

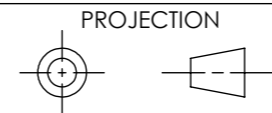


FRONT VIEW
UP60M-500W-H12-DO
SEE NOTE 3



- NOTES:**
1- DIMENSIONS IN mm
2- FOR MOUNTING FROM THE FRONT WITHOUT A FRONT COVER THE WATTMETER MUST BE FASTENED FROM THE FRONT; USE FOUR 10-24 UNC - 2B FASTENERS.
3- THE RIGHT SIDE AND BOTTOM VIEWS APPLY TO BOTH UP55M/60M CONFIGURATIONS. THE UP50N CONFIGURATION HAS A THICKER COVER.

IMPORTANT:
THIS DOCUMENT IS PROPERTY OF GENTEC ELECTRO-OPTICS, IT CANNOT BE DISTRIBUTED, USED OR REPRODUCED IN WHOLE OR IN PART WITHOUT EXPRESS WRITTEN AUTHORIZATION



B	FROM ACI-2712	2018/10/04	RL		
A	UP55M-600W... RENAMED UP55M-700W...	2013/06/06	RVH		
REF.	REVISION	DATE	VER	APP	
TOLERANCE					
DEC.	±				
FRAC.	±				
APP.		LAYOUT DRAWING UP50/55/60M UP ULTRA SERIES			
VER.					
DATE		SK-9096			
2011/02/14		A3			
1:2					