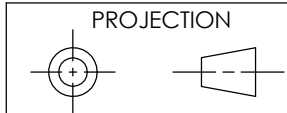


NOTE: DIMENSIONS IN mm

ENGRAVING FOR:
BEAMAGE-3.0/IR
BEAMAGE-4M;
AS REQUIRED

IMPORTANT:
THIS DOCUMENT
IS PROPERTY OF
GENTEC ELECTRO-
OPTICS, IT CANNOT
BE DISTRIBUTED, USED
OR REPRODUCED IN
WHOLE OR IN PART
WITHOUT EXPRESS
WRITTEN AUTHORIZATION



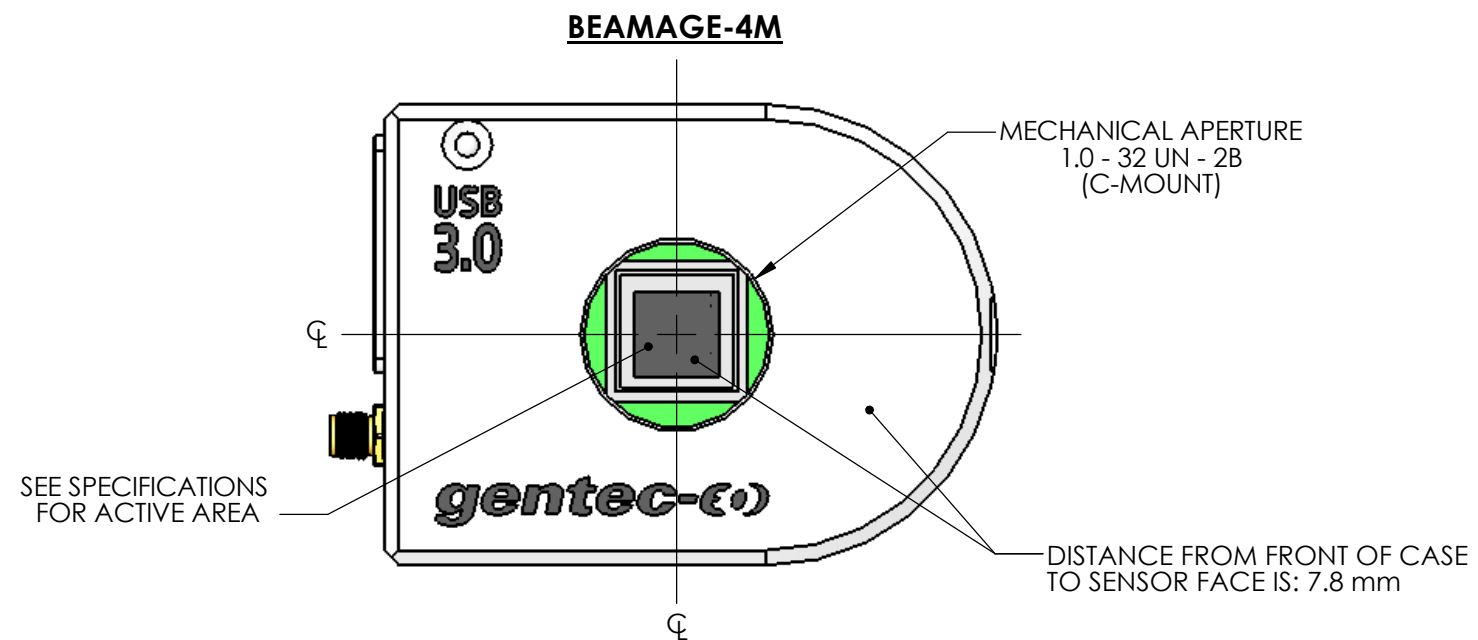
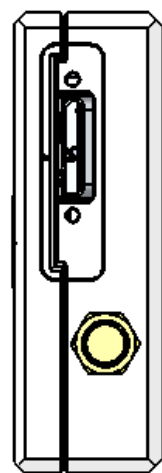
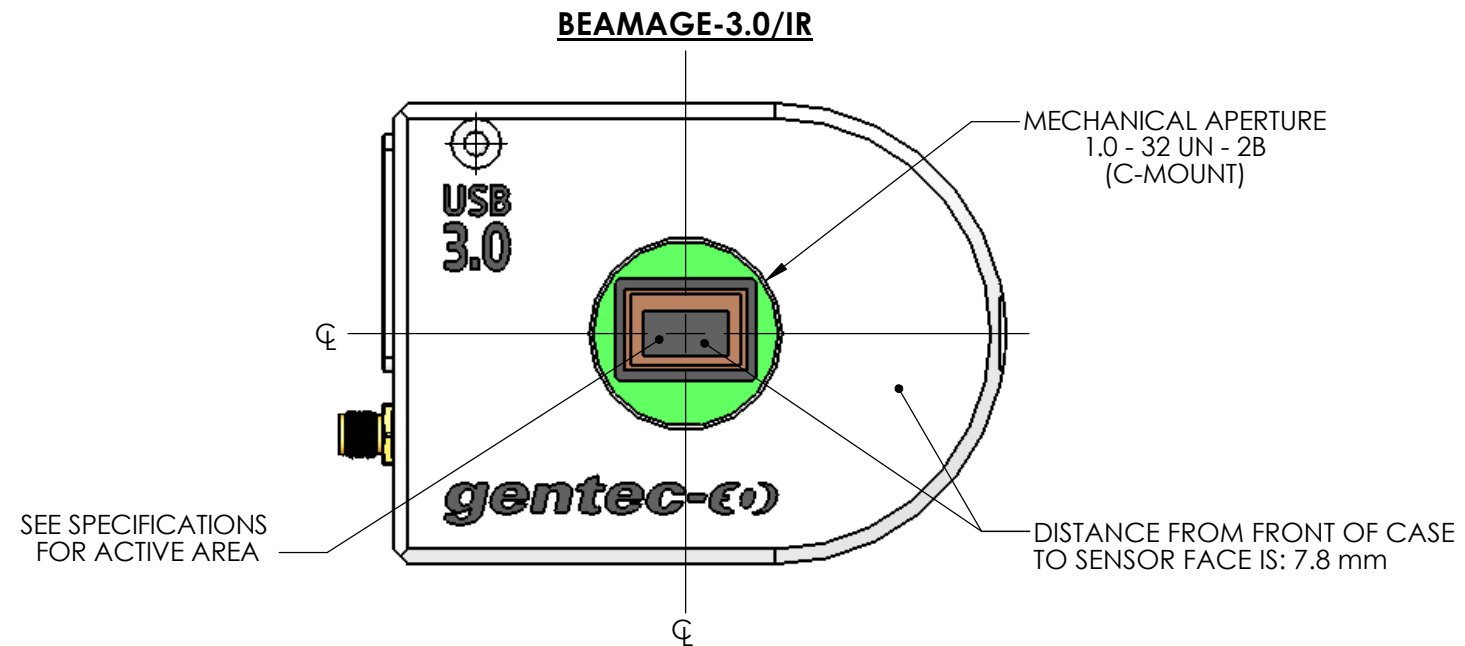
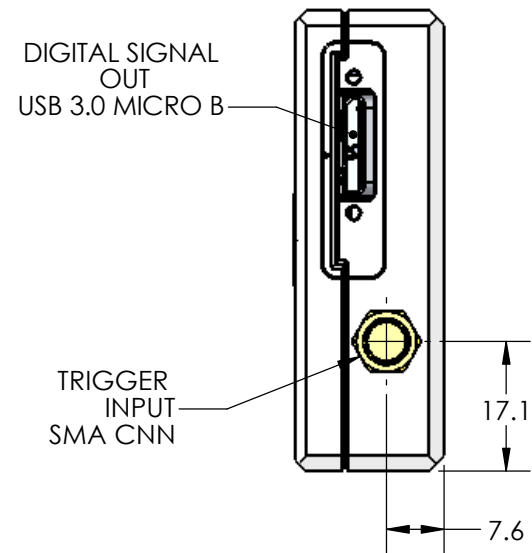
E	DOC. FOR BEAMAGE-4M ADDED	14/09/16	RVH		
D	ACCORDING TO ACI-1843	14/03/05	RVH		
C	BACKSIDE ENGRAVING ADDED	13/04/18	RVH		
B	ACCORDING TO DCI-ACI-1646	13/04/04	RVH		
A	ARTWORK ADDED	13/02/20	RVH		
REF.	REVISION	DATE	VER	APP	

TOLERANCE	
DEC.	±
FRAC.	±
ANGLE	±
APP.	
VER.	
DATE	2014/08/29
1:1	



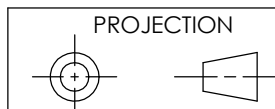
LAYOUT DRAWING
BEAMAGE-3.0/IR; BEAMAGE-4M

SK-9304 P1 OF 2 A3



NOTE: DIMENSIONS IN mm

IMPORTANT:
THIS DOCUMENT IS PROPERTY OF GENTEC ELECTRO-OPTICS, IT CANNOT BE DISTRIBUTED, USED OR REPRODUCED IN WHOLE OR IN PART WITHOUT EXPRESS WRITTEN AUTHORIZATION



REVISION	E	SEE PAGE 1 FOR DETAILS
----------	---	------------------------

TOLERANCE	
DÉC.	±
FRAC.	±
ANGLE	±
√	

SEE PAGE 1 FOR APPROVALS

Ronald VH

DATE 2012/08/29

1:1

gentec-EO

LAYOUT DRAWING

BEAMAGE-3.0/IR; BEAMAGE-4M