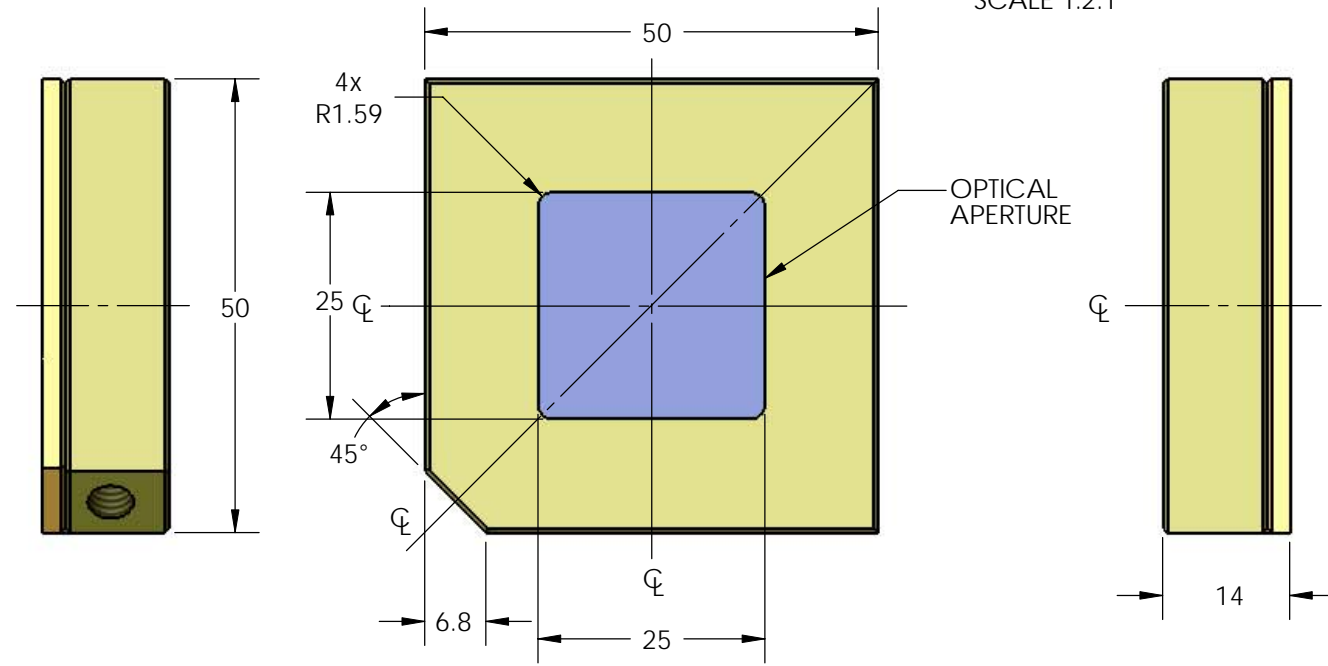
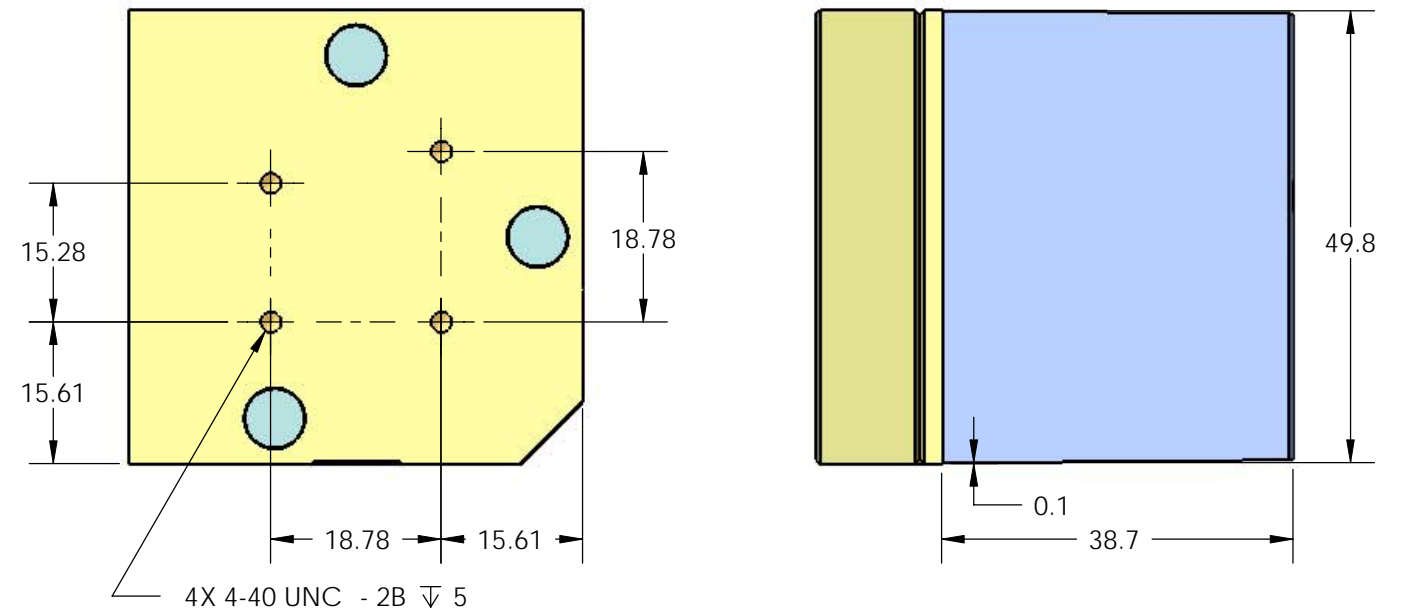


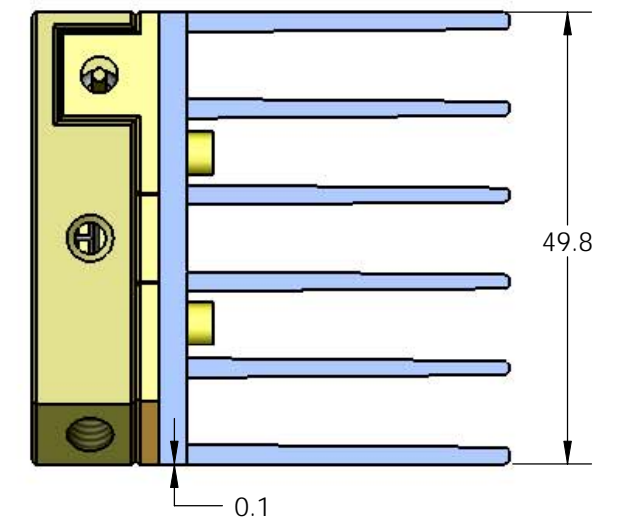
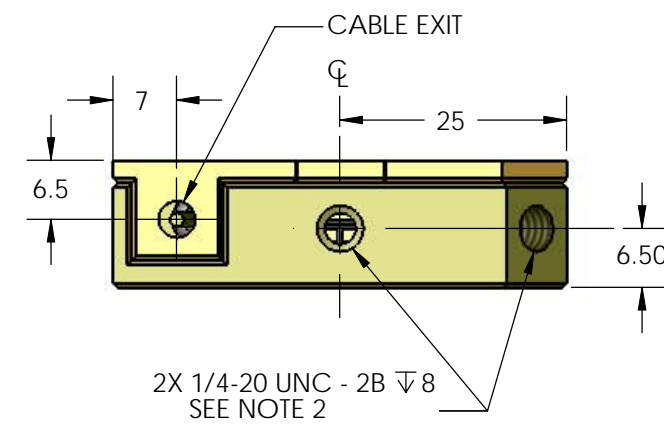
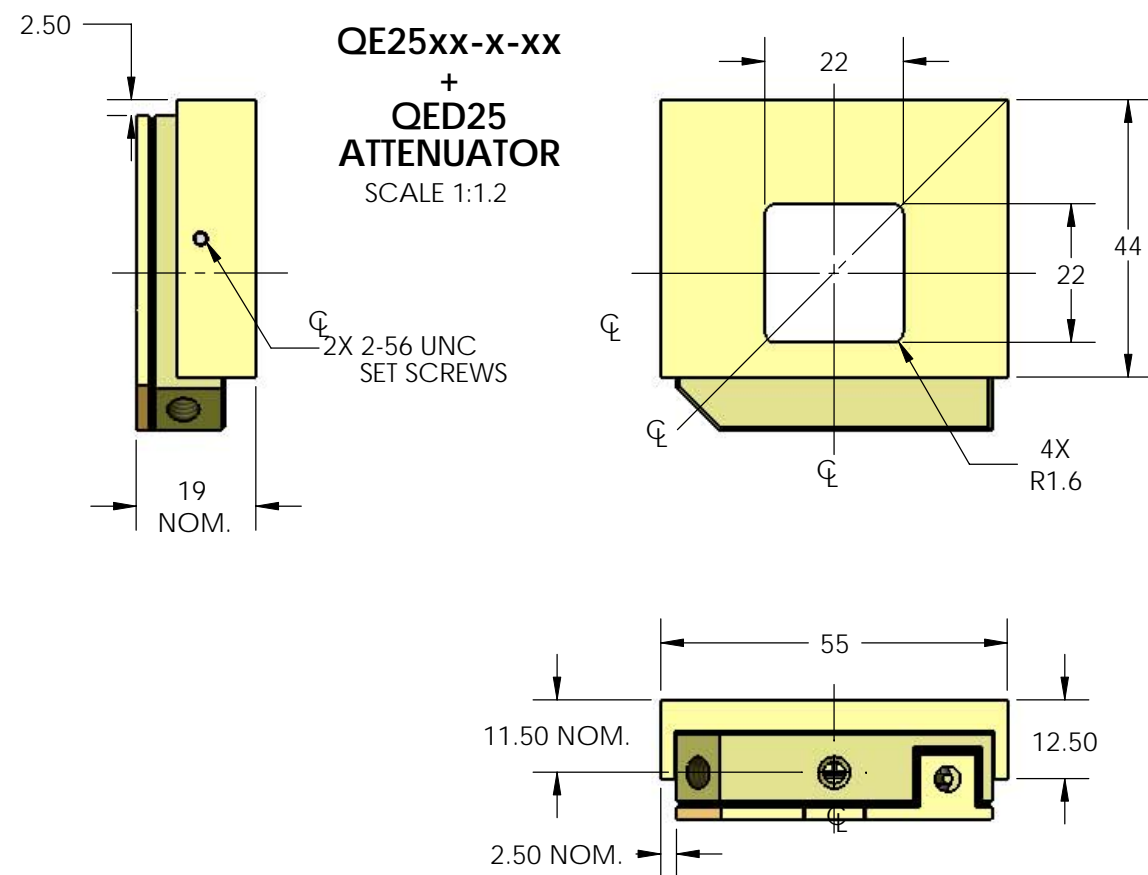
QE25xx-S-xx
SCALE 1.2:1



QE25xx-H-xx
SCALE 1.2:1

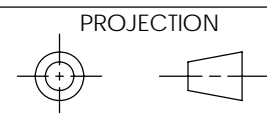


QE25xx-x-xx
+
QED25
ATTENUATOR
SCALE 1:1.2



NOTES:
1- DIMENSIONS IN mm
2- FOR MOUNTING POST

IMPORTANT:
THIS DOCUMENT
IS PROPERTY OF
GENTEC ELECTRO-
OPTICS, IT CANNOT
BE DISTRIBUTED, USED
OR REPRODUCED IN
WHOLE OR IN PART
WITHOUT EXPRESS
WRITTEN AUTHORIZATION



A	ATTENUATOR UPDATED	10/02/22	RVH		
RÉF.	RÉVISION	DATE	VER	APP	
TOLERANCE					
DEC.	±				
FRAC.	±				
ANGLE	±				
APP.					
VER.					
Ronald VH					
DATE	19/09/2006				
1.2:1					
		gentec-e			
		LAYOUT DRAWING JOULEMETER AND ATTENUATORS QE25 SERIES			
		SK-8519		A3	