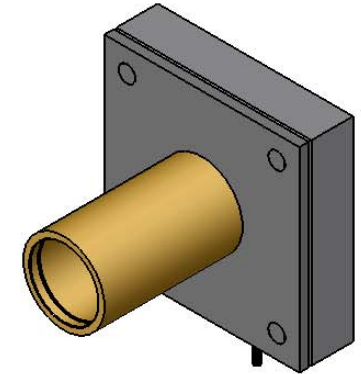
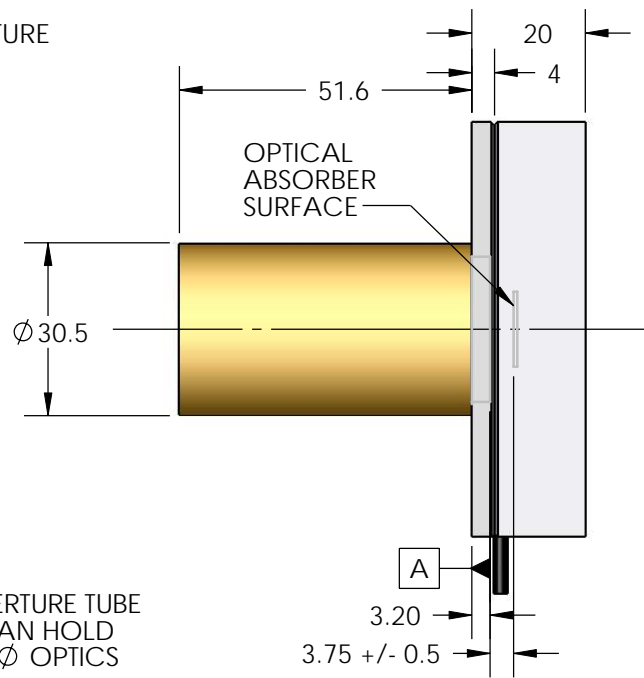
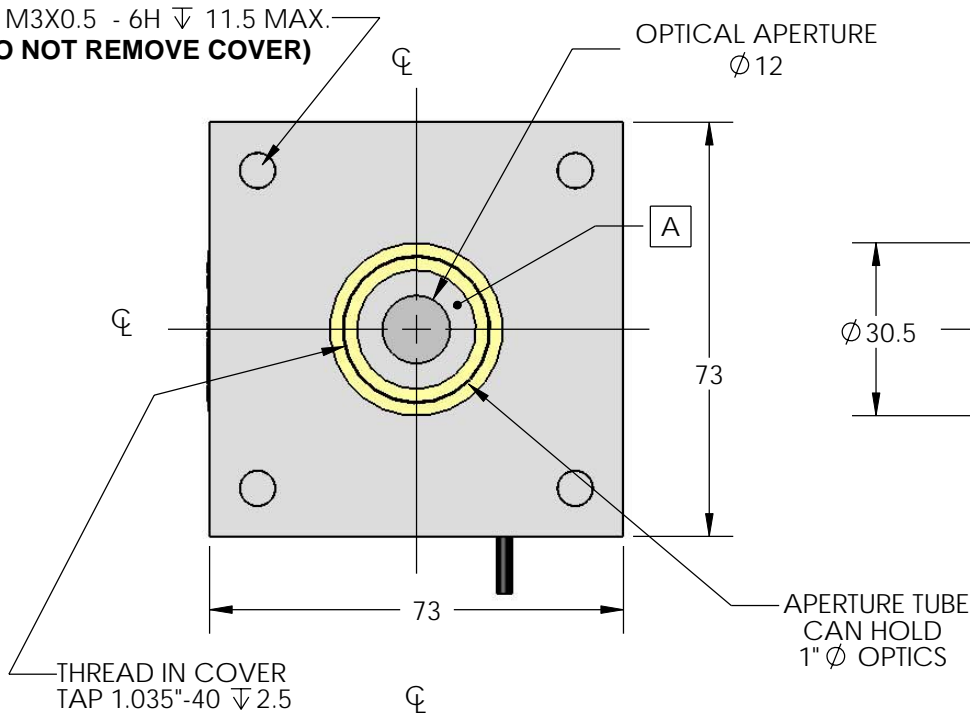
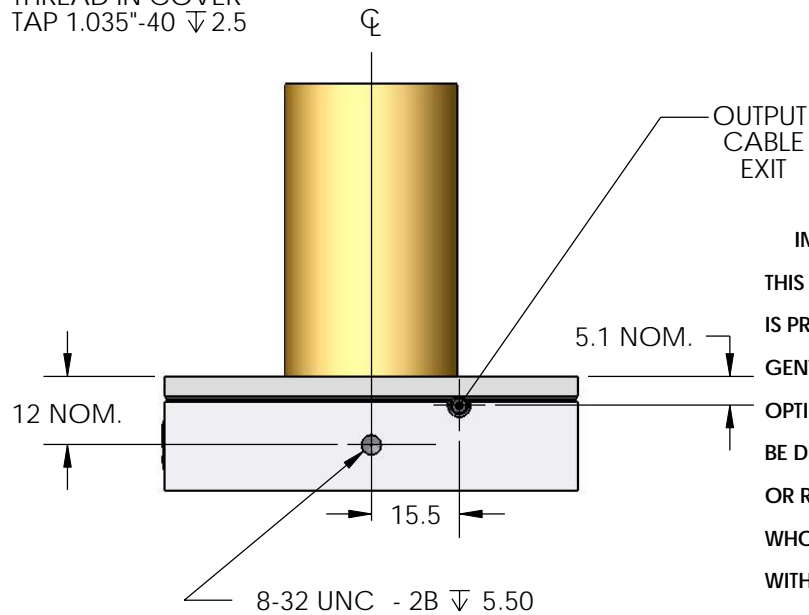


4X M3X0.5 - 6H  $\nabla$  11.5 MAX.  
**(DO NOT REMOVE COVER)**

OPTICAL APERTURE  
 $\phi$  12



NOTE: DIMENSIONS IN mm



**IMPORTANT:**  
 THIS DOCUMENT  
 IS PROPERTY OF  
 GENTEC ELECTRO-  
 OPTICS, IT CANNOT  
 BE DISTRIBUTED, USED  
 OR REPRODUCED IN  
 WHOLE OR IN PART  
 WITHOUT EXPRESS  
 WRITTEN AUTHORIZATION

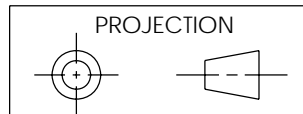
D	DEPTH OF ABSORBER SURFACE ADDED	09/05/22	RVH		
C	THREAD INFORMATION ADDED	09/01/22	RVH		
B	APERTURE TUBE MODIFIED	05/07/07	RVH		
A	THICK. INCR. BY 2mm, NON EXITING THREADS	14/03/07	RVH		
REF.	REVISION	DATE	VER	APP	

TOLERANCE	
DEC.	$\pm$
FRAC.	$\pm$
ANGLE	$\pm$
$\sqrt{\quad}$	



APP.	
VER.	
— RonaldVH	

LAYOUT DRAWING  
 XLP12-1S-H2



DATE	13/03/2007
	1:1

SK-8698

A4