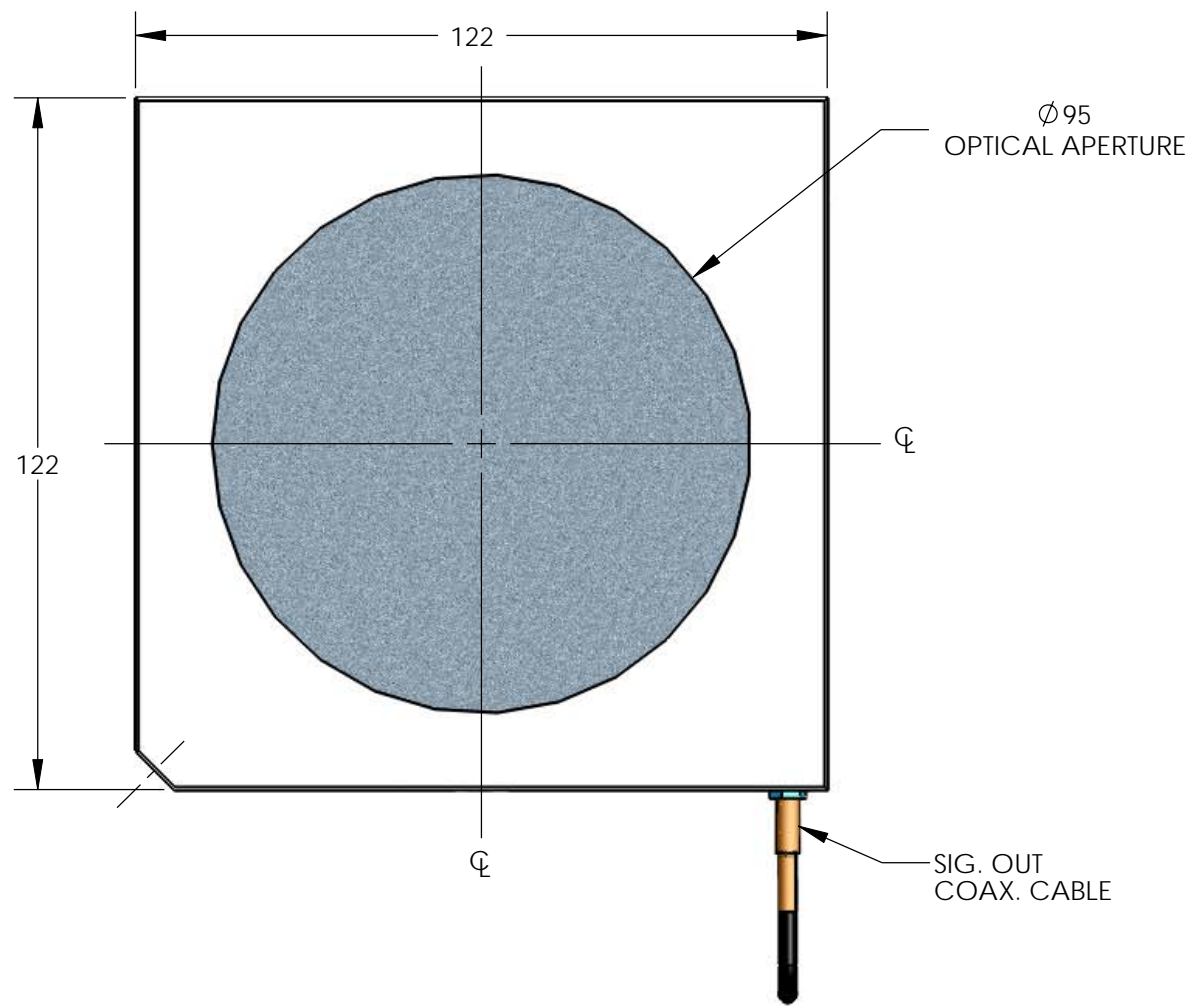
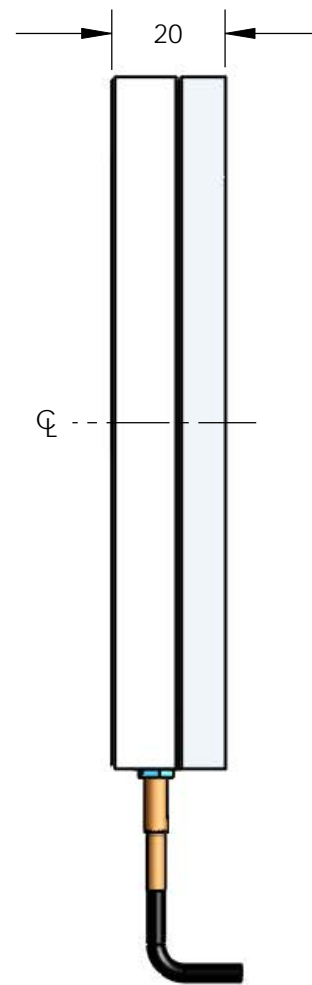


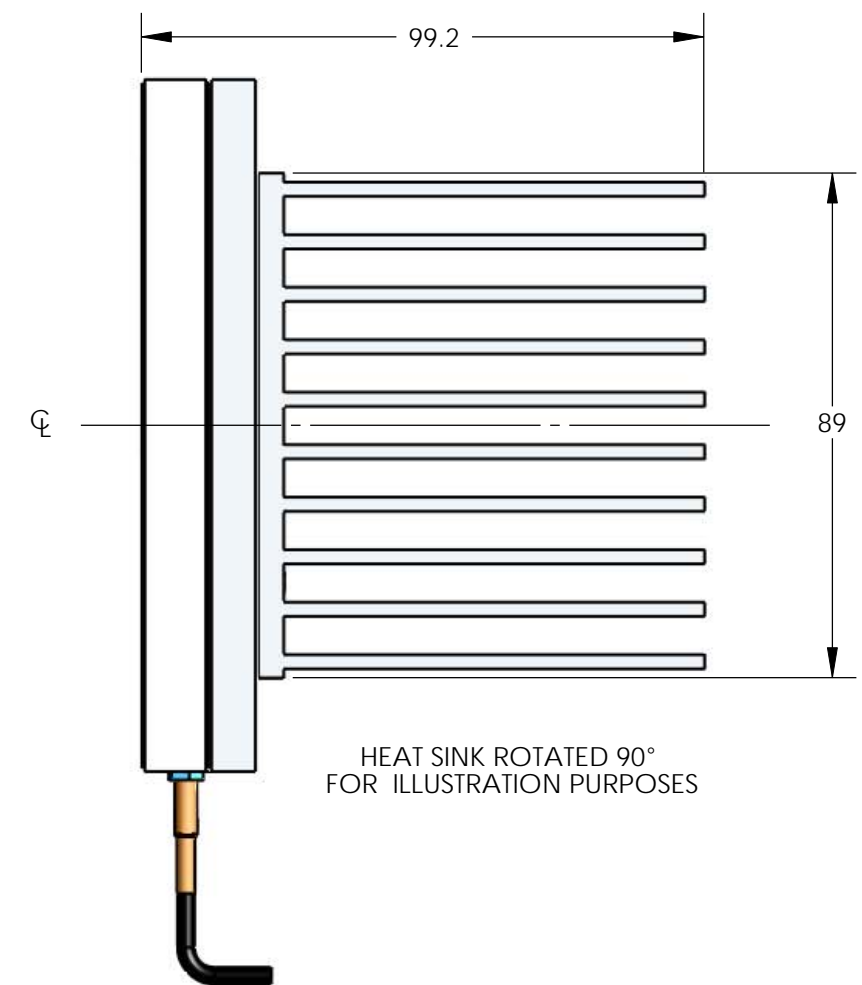
FRONT VIEW QE95-S/H...



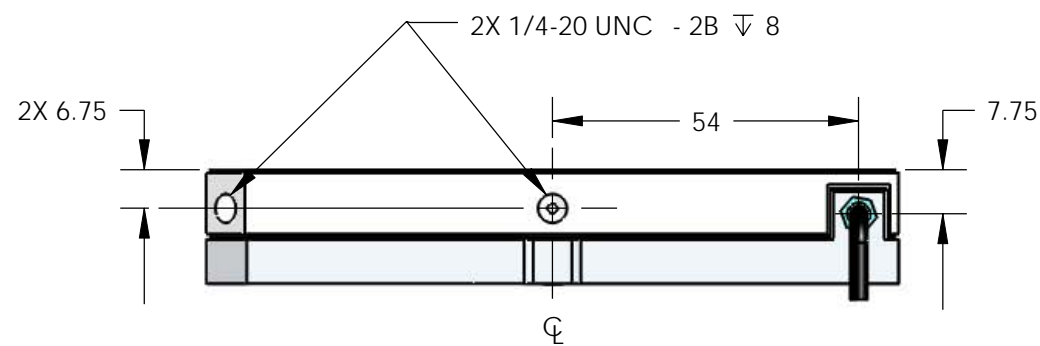
QE95-S...



QE95-H...

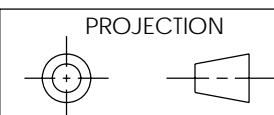


HEAT SINK ROTATED 90° FOR ILLUSTRATION PURPOSES



NOTE:  
1- DIMENSIONS IN mm

**IMPORTANT:**  
THIS DOCUMENT IS PROPERTY OF GENTEC ELECTRO-OPTICS, IT CANNOT BE DISTRIBUTED, USED OR REPRODUCED IN WHOLE OR IN PART WITHOUT EXPRESS WRITTEN AUTHORIZATION



A	DETAILS AND BOTTOM VIEW ADDED	10/02/16	RVH		
REF.	REVISION	DATE	VER	APP	
TOLERANCE					
DEC.	±				
FRAC.	±				
ANGLE	±	LAYOUT DRAWING			
APP.		QE95			
VER.		SK-9076		A3	
	Ronald VH				
DATE	2010/12/14				
	3:4				